

BUTTERFLYMX 12"
(SURFACE)

KEYHOLES MATCH STUDS
FOR BUTTERFLYMX 11.6" (SURFACE)



CAM LOCK

NOTES:

1. MATERIAL OF CONSTRUCTION IS MILD STEEL.
2. 2-4 MILS STARDUST SILVER II POWDER COAT.
1. PWDR-SILVER-STARDUST



PEDESTALPRO.COM
1-800-660-3072

UNLESS OTHERWISE SPECIFIED:

DIMENSIONS ARE IN INCHES
TOLERANCES:
FRACTIONAL $\pm 1/32$
ANGULAR: $\pm 2^\circ$
TWO PLACE DECIMAL ± 0.010
THREE PLACE DECIMAL ± 0.005

INTERPRET GEOMETRIC
TOLERANCING PER:
ASME Y14.5 -2009

NAME	DATE
DRAWN	
CHECKED	

PROPRIETARY AND CONFIDENTIAL
THE INFORMATION CONTAINED IN THIS DRAWING IS THE SOLE PROPERTY OF PEDESTALPRO LLC. ANY REPRODUCTION IN PART OR AS A WHOLE WITHOUT THE WRITTEN PERMISSION OF PEDESTALPRO LLC IS PROHIBITED.

TITLE:
INSTALLATION

Friday, April 17, 2026
10:41:05 AM

WEIGHT: 5.740

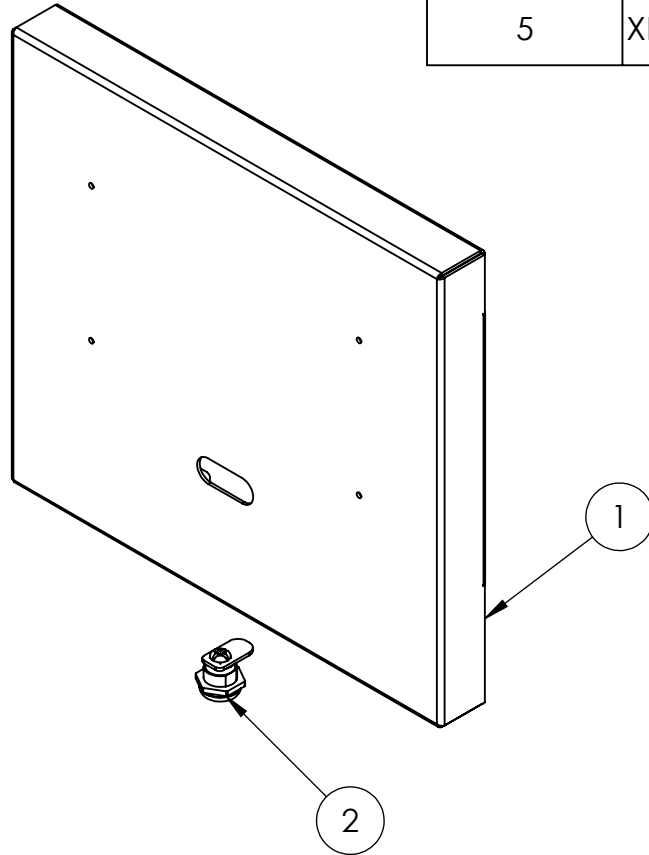
SIZE A	PART NO. XBUT-RP002C
------------------	-------------------------

REV A

NO SCALE

SHEET 1 OF 7

ITEM NO.	PART NUMBER	DESCRIPTION	QTY.
1	XBUT-RP002C FRONT	BUTTERFLYMX 11.6" SURFACE TO 12" SURFACE RETRO PLATE	1
2	CAM LOCK	STRAIGHT CAM	1
3	XBUT-RP002C CAM FLANGE	SHORT CAM LOCK FLANGE	1
4	XBUT-RP002C BACK	REAR CLOSURE	1
5	XBUT-RP002C BRACKET	CAM LOCK MOUNTING BRACKET	1



NOTES:

- SEE STANDARD PREPARATION AND COATING INSTRUCTIONS FOR COATING PROCEDURE AND COLOR.
- SEE STANDARD PACKAGING INSTRUCTIONS FOR PACKAGING PROCEDURE.



PEDESTALPRO.COM
1-800-660-3072

UNLESS OTHERWISE SPECIFIED:

DIMENSIONS ARE IN INCHES
TOLERANCES:
FRACTIONAL $\pm 1/32$
ANGULAR: $\pm 2^\circ$
TWO PLACE DECIMAL ± 0.010
THREE PLACE DECIMAL ± 0.005

INTERPRET GEOMETRIC
TOLERANCING PER:
ASME Y14.5 -2009

NAME	DATE
DRAWN	
CHECKED	

PROPRIETARY AND CONFIDENTIAL
THE INFORMATION CONTAINED IN THIS DRAWING IS THE SOLE PROPERTY OF PEDESTALPRO LLC. ANY REPRODUCTION IN PART OR AS A WHOLE WITHOUT THE WRITTEN PERMISSION OF PEDESTALPRO LLC IS PROHIBITED.

TITLE:
ASSEMBLY

Friday, April 17, 2026
10:41:05 AM

WEIGHT: 5.740

SIZE	PART NO.	REV
A	XBUT-RP002C	A
NO SCALE		SHEET 2 OF 7