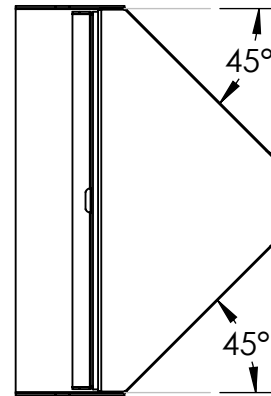
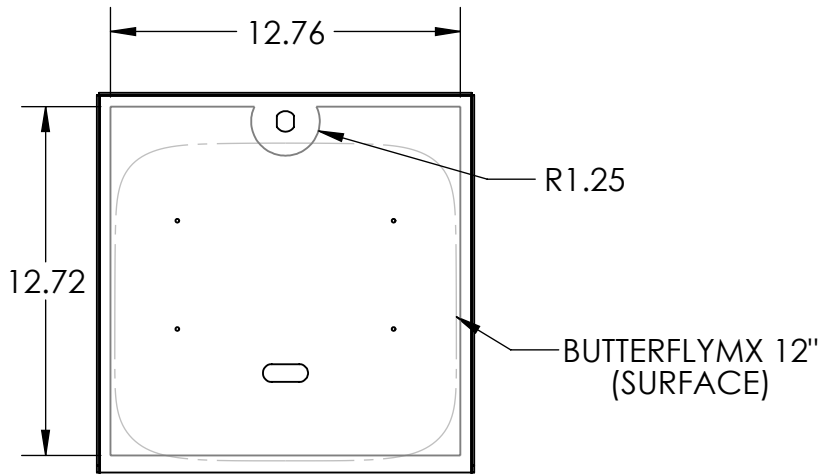
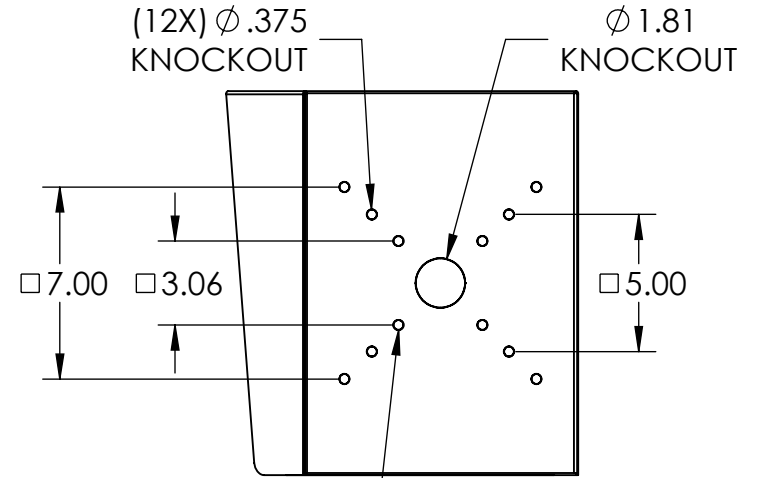
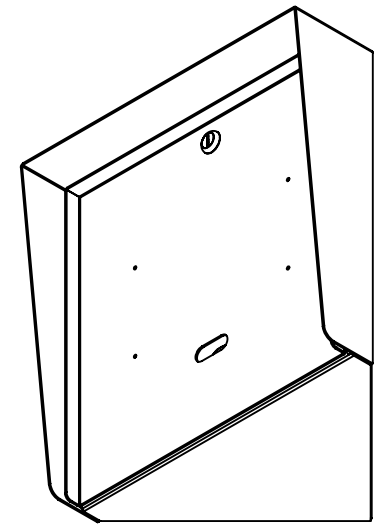


SECTION A-A



KNOCKOUTS



AVAILABLE CUTOUT AREA

NOTES:

- MATERIAL OF CONSTRUCTION IS 304 SS, BRUSHED #4.



PEDESTALPRO.COM
1-800-660-3072

UNLESS OTHERWISE SPECIFIED:

DIMENSIONS ARE IN INCHES
TOLERANCES:
FRACTIONAL $\pm 1/32$
ANGULAR: $\pm 2^\circ$
TWO PLACE DECIMAL ± 0.010
THREE PLACE DECIMAL ± 0.005

INTERPRET GEOMETRIC
TOLERANCING PER:
ASME Y14.5 -2009

NAME	DATE
DRAWN	
CHECKED	

PROPRIETARY AND CONFIDENTIAL
THE INFORMATION CONTAINED IN THIS DRAWING IS THE SOLE PROPERTY OF PEDESTALPRO LLC. ANY REPRODUCTION IN PART OR AS A WHOLE WITHOUT THE WRITTEN PERMISSION OF PEDESTALPRO LLC IS PROHIBITED.

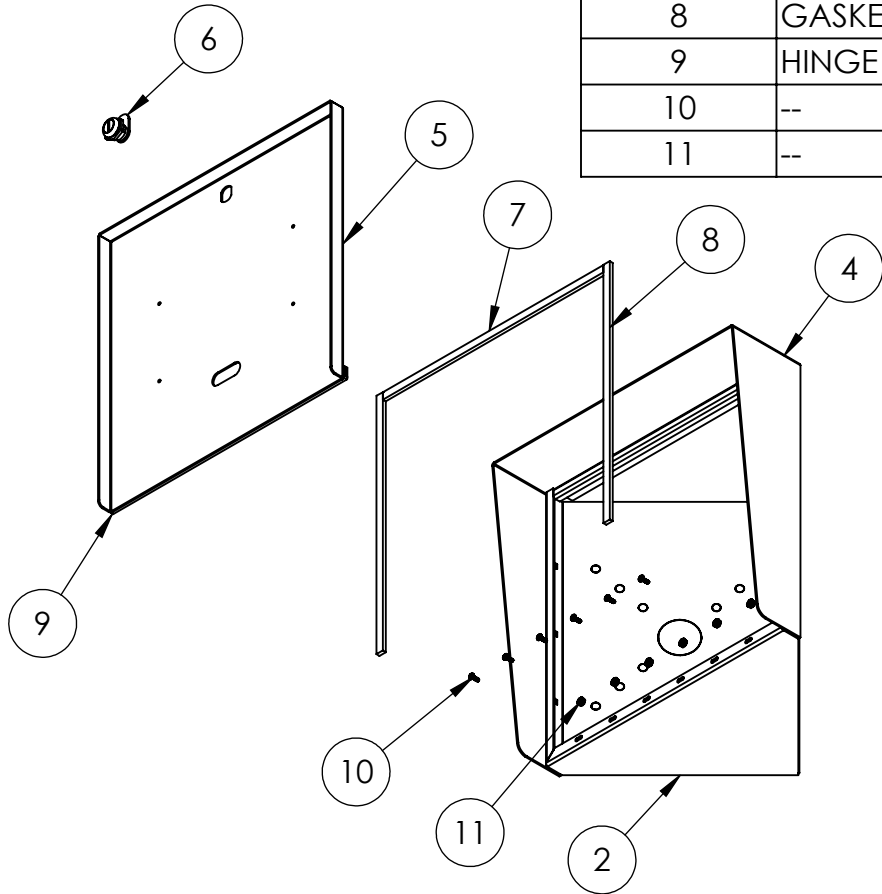
TITLE:
INSTALLATION

Monday, June 15, 2026
2:52:05 PM

WEIGHT: 18.683

SIZE	PART NO.	REV
A	XBUT-HG004S	B
NO SCALE		SHEET 1 OF 8

ITEM NO.	PART NUMBER	DESCRIPTION	QTY.
1	XBUT-HG004S BODY	BODY	1
2	XBUT-HG004S BOTTOM	BOTTOM	1
3	XBUT-HG004S TOP	TOP	1
4	XBUT-HG004S HOOD	HOOD	1
5	XBUT-HG004S DOOR	DOOR WELDMENT	1
6	CAM LOCK	STRAIGHT CAM	1
7	GASKET TOP	3/8" X .150 WEATHERSTRIPPING	1
8	GASKET SIDE	3/8" X .150 WEATHERSTRIPPING	2
9	HINGE	PIANO HINGE	1
10	--	6-32 PAN HEAD SCREW	6
11	--	6-32 EXTERNAL TOOTH LOCK NUT	6



NOTES:

- SEE STANDARD PREPARATION AND COATING INSTRUCTIONS FOR COATING PROCEDURE AND COLOR.
- SEE STANDARD PACKAGING INSTRUCTIONS FOR PACKAGING PROCEDURE.



PEDESTALPRO.COM
1-800-660-3072

UNLESS OTHERWISE SPECIFIED:

DIMENSIONS ARE IN INCHES
TOLERANCES:
FRACTIONAL: $\pm 1/32$
ANGULAR: $\pm 2^\circ$
TWO PLACE DECIMAL ± 0.010
THREE PLACE DECIMAL ± 0.005

INTERPRET GEOMETRIC
TOLERANCING PER:
ASME Y14.5 -2009

NAME	DATE
DRAWN	
CHECKED	

PROPRIETARY AND CONFIDENTIAL
THE INFORMATION CONTAINED IN THIS DRAWING IS THE SOLE PROPERTY OF PEDESTALPRO LLC. ANY REPRODUCTION IN PART OR AS A WHOLE WITHOUT THE WRITTEN PERMISSION OF PEDESTALPRO LLC IS PROHIBITED.

TITLE:
ASSEMBLY

Monday, June 15, 2026
2:52:05 PM

WEIGHT: 18.683

SIZE **A** PART NO. XBUT-HG004S

NO SCALE

REV **B**

SHEET 2 OF 8