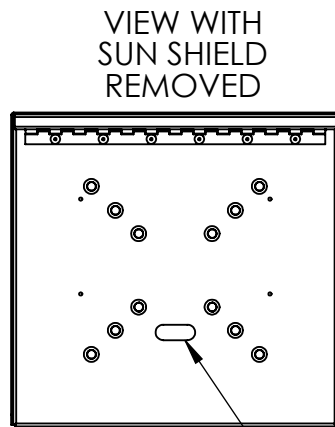
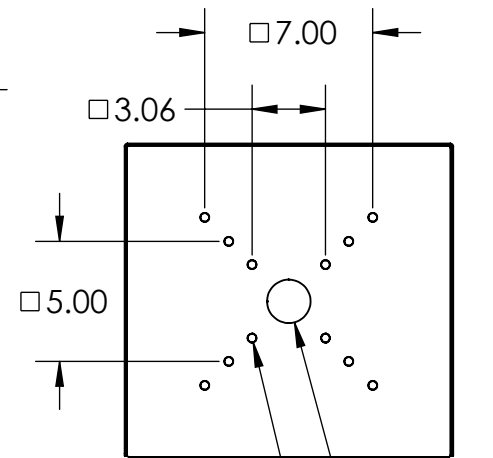
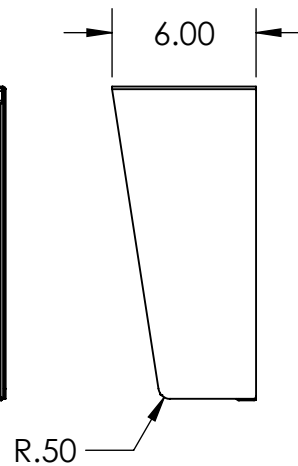


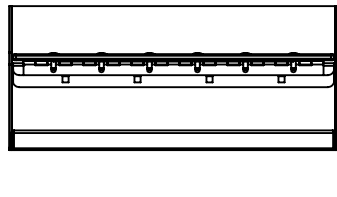
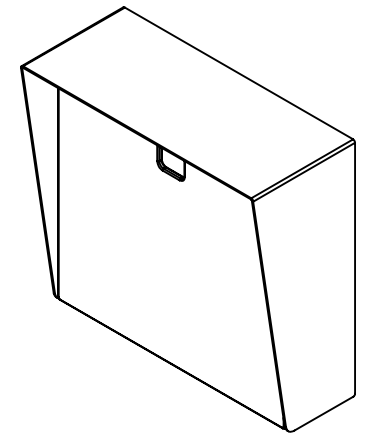
UV-RESISTANT
WHITE ACRYLIC
SUN SHIELD
ON HINGES



BUTTERFLYMX 12"
(SURFACE)



(12X) 3/8"
KNOCKOUT $\phi 1.81$



.83 CABLE
PASS

NOTES:
1. MATERIAL OF CONSTRUCTION IS 304 SS, BRUSHED #4.

PEDESTALPRO.COM
1-800-660-3072

UNLESS OTHERWISE SPECIFIED:
DIMENSIONS ARE IN INCHES
TOLERANCES:
FRACTIONAL $\pm 1/32$
ANGULAR: $\pm 2^\circ$
TWO PLACE DECIMAL ± 0.010
THREE PLACE DECIMAL ± 0.005
INTERPRET GEOMETRIC
TOLERANCING PER:
ASME Y14.5 -2009

NAME	DATE
DRAWN	
CHECKED	
PROPRIETARY AND CONFIDENTIAL	
THE INFORMATION CONTAINED IN THIS DRAWING IS THE SOLE PROPERTY OF PEDESTALPRO LLC. ANY REPRODUCTION IN PART OR AS A WHOLE WITHOUT THE WRITTEN PERMISSION OF PEDESTALPRO LLC IS PROHIBITED.	

TITLE:
INSTALLATION

Monday, April 20, 2026
7:22:56 AM

WEIGHT: 15.770

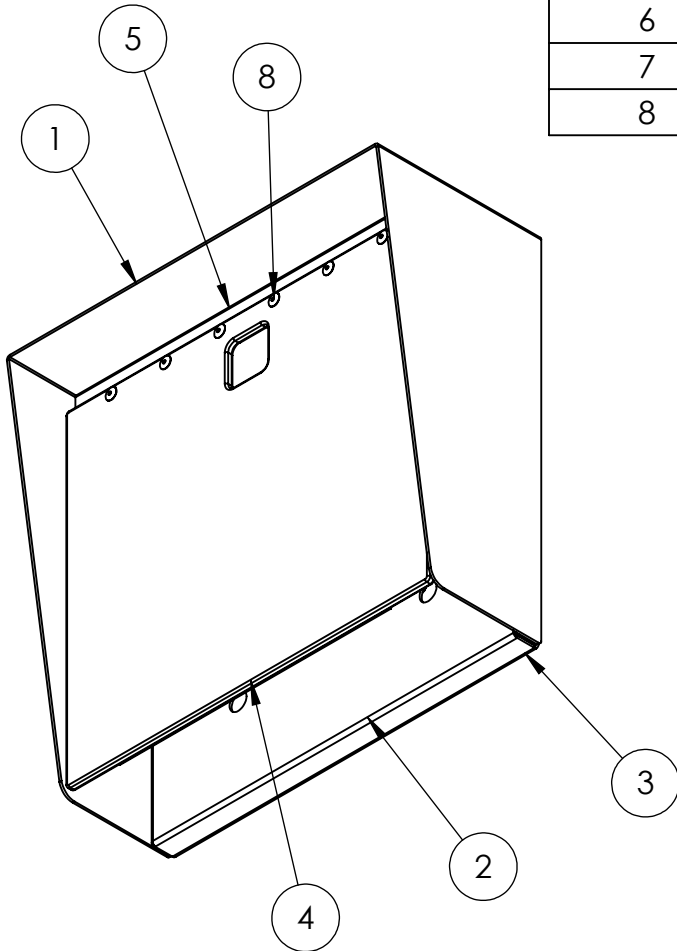
SIZE A	PART NO. XBUT-HD002S
------------------	-------------------------

NO SCALE

REV 0

SHEET 1 OF 9

ITEM NO.	PART NUMBER	DESCRIPTION	QTY.
1	XBUT-HD002S HOOD	HOOD ASSEMBLY	1
2	XBUT-HD002S MID PLATE	MOUNTING PLATE	1
3	XBUT-HD002S BACK PLATE	BACK PLATE	1
4	XBUT-HD002S SHIELD	UV RESISTANT WHITE AVRYLIC	1
5	XBUT-HD002S BRACKET	BRACKET	1
6	XBUT-HD002S GASKET	GASKET	1
7	HINGE	PIANO HINGE	1
8	--	3/16 X .55" BLIND RIVET	6



NOTES:

- SEE STANDARD PREPARATION AND COATING INSTRUCTIONS FOR COATING PROCEDURE AND COLOR.
- SEE STANDARD PACKAGING INSTRUCTIONS FOR PACKAGING PROCEDURE.

UNLESS OTHERWISE SPECIFIED:

DIMENSIONS ARE IN INCHES
TOLERANCES:
FRACTIONAL $\pm 1/32$
ANGULAR: $\pm 2^\circ$
TWO PLACE DECIMAL ± 0.010
THREE PLACE DECIMAL ± 0.005

INTERPRET GEOMETRIC
TOLERANCING PER:
ASME Y14.5 -2009

NAME	DATE
DRAWN	
CHECKED	

PROPRIETARY AND CONFIDENTIAL
THE INFORMATION CONTAINED IN THIS
DRAWING IS THE SOLE PROPERTY OF
PEDESTALPRO LLC. ANY REPRODUCTION
IN PART OR AS A WHOLE WITHOUT THE
WRITTEN PERMISSION OF PEDESTALPRO LLC
IS PROHIBITED.

TITLE:

ASSEMBLY

Monday, April 20, 2026
7:22:56 AM

WEIGHT: 15.770

SIZE
A

PART NO.
XBUT-HD002S

REV
0

NO SCALE

SHEET 2 OF 9

PEDESTALPRO.COM
1-800-660-3072