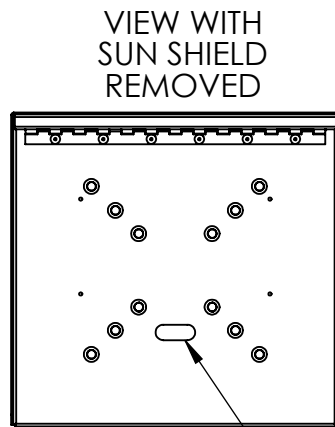
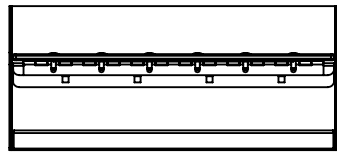
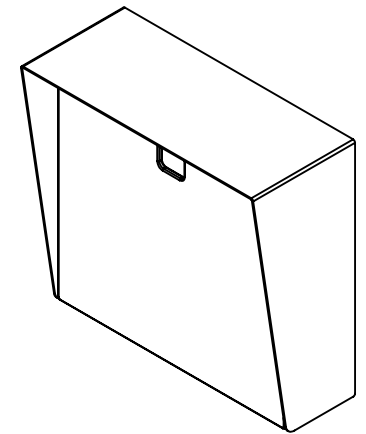
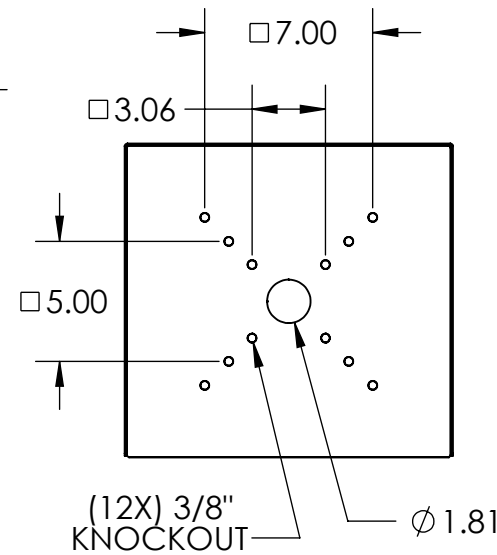
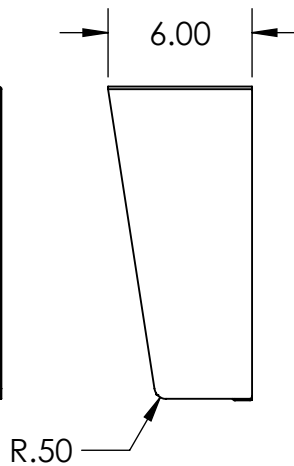


UV-RESISTANT
WHITE ACRYLIC
SUN SHIELD
ON HINGES



VIEW WITH
SUN SHIELD
REMOVED

BUTTERFLYMX 12"
(SURFACE)



.82 CABLE
PASS

NOTES:

1. MATERIAL OF CONSTRUCTION IS MILD STEEL.
2. 2-4 MILS SD FINE BLACK TEX POWDER COAT.
1. PWDR-BLACK-TEX

PEDESTALPRO.COM
1-800-660-3072

UNLESS OTHERWISE SPECIFIED:

DIMENSIONS ARE IN INCHES
TOLERANCES:
FRACTIONAL $\pm 1/32$
ANGULAR: $\pm 2^\circ$
TWO PLACE DECIMAL ± 0.010
THREE PLACE DECIMAL ± 0.005

INTERPRET GEOMETRIC
TOLERANCING PER:
ASME Y14.5 -2009

NAME DATE

DRAWN

CHECKED

PROPRIETARY AND CONFIDENTIAL

THE INFORMATION CONTAINED IN THIS
DRAWING IS THE SOLE PROPERTY OF
PEDESTALPRO LLC. ANY REPRODUCTION
IN PART OR AS A WHOLE WITHOUT THE
WRITTEN PERMISSION OF PEDESTALPRO LLC
IS PROHIBITED.

TITLE:

INSTALLATION

Monday, April 20, 2026
7:32:47 AM

WEIGHT: 14.927

SIZE
A

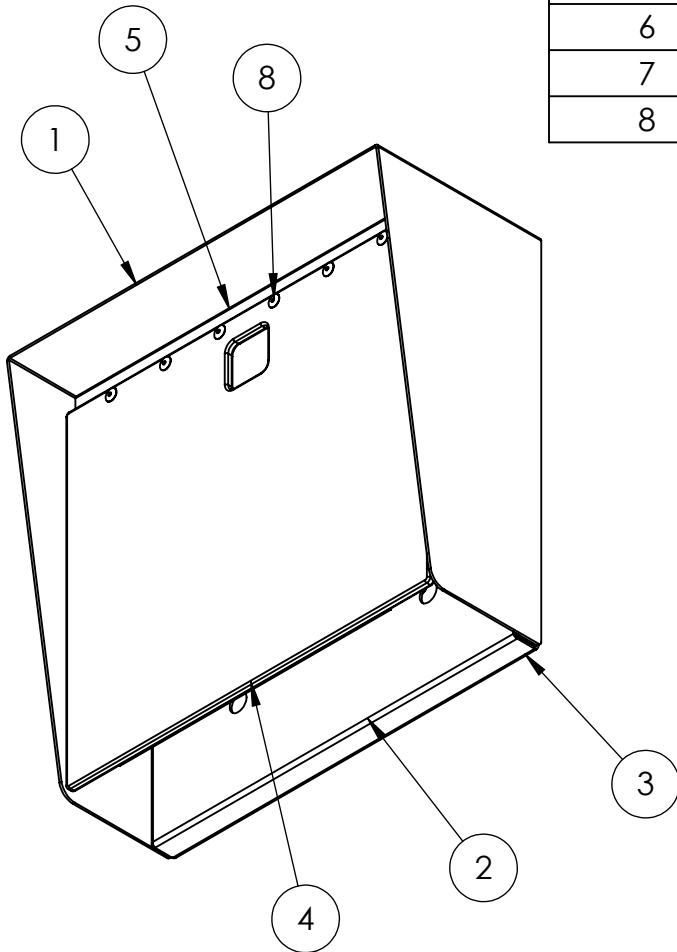
PART NO.
XBUT-HD002C

REV
0

NO SCALE

SHEET 1 OF 9

ITEM NO.	PART NUMBER	DESCRIPTION	QTY.
1	XBUT-HD002C HOOD	HOOD ASSEMBLY	1
2	XBUT-HD002C MID PLATE	MOUNTING PLATE	1
3	XBUT-HD002C BACK PLATE	BACK PLATE	1
4	XBUT-HD002C SHIELD	UV RESISTANT WHITE AVRYLIC	1
5	XBUT-HD002C BRACKET	BRACKET	1
6	XBUT-HD002C GASKET	GASKET	1
7	HINGE	PIANO HINGE	1
8	--	3/16 X .55" BLIND RIVET	6



NOTES:

1. SEE STANDARD PREPARATION AND COATING INSTRUCTIONS FOR COATING PROCEDURE AND COLOR.
2. SEE STANDARD PACKAGING INSTRUCTIONS FOR PACKAGING PROCEDURE.

UNLESS OTHERWISE SPECIFIED:

DIMENSIONS ARE IN INCHES
TOLERANCES:
FRACTIONAL $\pm 1/32$
ANGULAR: $\pm 2^\circ$
TWO PLACE DECIMAL ± 0.010
THREE PLACE DECIMAL ± 0.005

INTERPRET GEOMETRIC
TOLERANCING PER:
ASME Y14.5 -2009

NAME	DATE
DRAWN	
CHECKED	

PROPRIETARY AND CONFIDENTIAL
THE INFORMATION CONTAINED IN THIS
DRAWING IS THE SOLE PROPERTY OF
PEDESTALPRO LLC. ANY REPRODUCTION
IN PART OR AS A WHOLE WITHOUT THE
WRITTEN PERMISSION OF PEDESTALPRO LLC
IS PROHIBITED.

TITLE:
ASSEMBLY

Monday, April 20, 2026
7:32:47 AM

WEIGHT: 14.927

SIZE	PART NO.	REV
A	XBUT-HD002C	0
NO SCALE		SHEET 2 OF 9

PEDESTALPRO.COM
1-800-660-3072