

NOTES:  
 1. MATERIAL OF CONSTRUCTION IS 304 SS, BRUSHED #4.



PEDESTALPRO.COM  
 1-800-660-3072

UNLESS OTHERWISE SPECIFIED:  
 DIMENSIONS ARE IN INCHES  
 TOLERANCES:  
 FRACTIONAL:  $\pm 1/32$   
 ANGULAR:  $\pm 2^\circ$   
 TWO PLACE DECIMAL:  $\pm 0.010$   
 THREE PLACE DECIMAL:  $\pm 0.005$   
 INTERPRET GEOMETRIC TOLERANCING PER: ASME Y14.5-2009

| NAME   | DATE |
|--|------|
| DRAWN  |      |
| CHECKED  |      |
| <b>PROPRIETARY AND CONFIDENTIAL</b>  |      |
| THE INFORMATION CONTAINED IN THIS DRAWING IS THE SOLE PROPERTY OF PEDESTALPRO LLC. ANY REPRODUCTION IN PART OR AS A WHOLE WITHOUT THE WRITTEN PERMISSION OF PEDESTALPRO LLC IS PROHIBITED. |      |

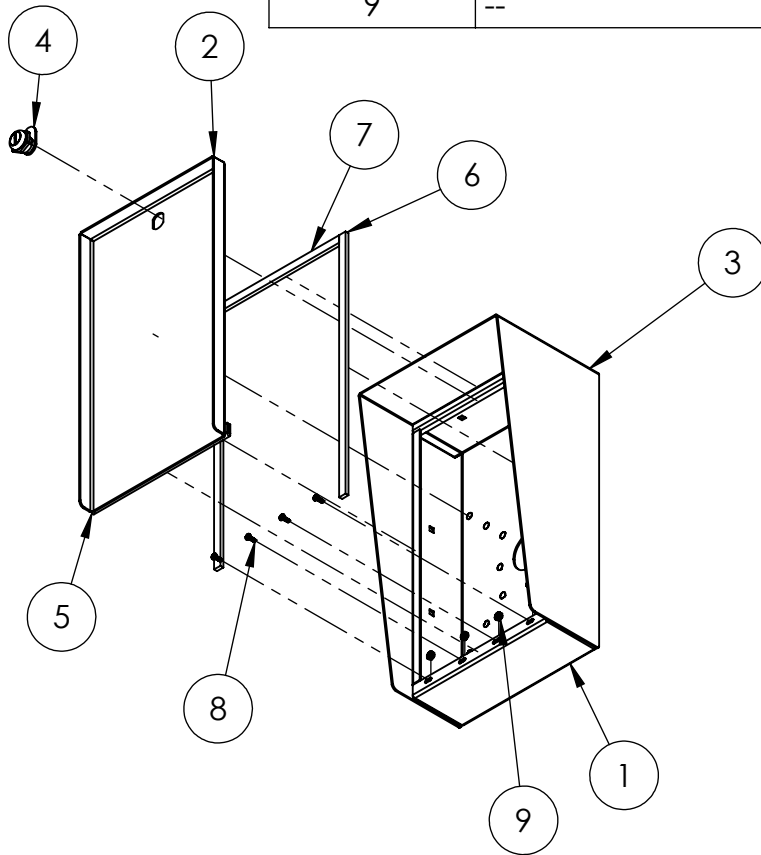
TITLE:  
**INSTALLATION**

Tuesday, August 4,  
 2020 12:54:51 PM

WEIGHT: 13.229

|                  |                              |                 |
|------------------|------------------------------|-----------------|
| SIZE<br><b>A</b> | PART NO.<br>PORTRA-SS-8X14-E | REV<br><b>0</b> |
| NO SCALE         |                              | SHEET 1 OF 6    |

| ITEM NO. | PART NUMBER                | DESCRIPTION                  | QTY. |
|----------|----------------------------|------------------------------|------|
| 1        | PORTRA-SS-8X14-E ENCLOSURE | ENCLOSURE WELDMENT           | 1    |
| 2        | PORTRA-SS-8X14-E DOOR      | DOOR WELDMENT                | 1    |
| 3        | PORTRA-SS-8X14-E HOOD      | HOOD                         | 1    |
| 4        | CAM LOCK                   | STRAIGHT CAM                 | 1    |
| 5        | HINGE                      | PIANO HINGE                  | 1    |
| 6        | GASKET SIDE                | 3/8" X .150 WEATHERSTRIPPING | 2    |
| 7        | GASKET TOP                 | 3/8" X .150 WEATHERSTRIPPING | 1    |
| 8        | --                         | 6-32 PAN HEAD SCREW          | 4    |
| 9        | --                         | 6-32 EXTERNAL TOOTH LOCK NUT | 4    |



NOTES:

1. SEE STANDARD PREPARATION AND COATING INSTRUCTIONS FOR COATING PROCEDURE AND COLOR.
2. SEE STANDARD PACKAGING INSTRUCTIONS FOR PACKAGING PROCEDURE.

UNLESS OTHERWISE SPECIFIED:

DIMENSIONS ARE IN INCHES  
TOLERANCES:  
FRACTIONAL  $\pm 1/32$   
ANGULAR:  $\pm 2^\circ$   
TWO PLACE DECIMAL  $\pm 0.010$   
THREE PLACE DECIMAL  $\pm 0.005$

INTERPRET GEOMETRIC  
TOLERANCING PER:  
ASME Y14.5 -2009

NAME DATE

DRAWN

CHECKED

**PROPRIETARY AND CONFIDENTIAL**

THE INFORMATION CONTAINED IN THIS  
DRAWING IS THE SOLE PROPERTY OF  
PEDESTALPRO LLC. ANY REPRODUCTION  
IN PART OR AS A WHOLE WITHOUT THE  
WRITTEN PERMISSION OF PEDESTALPRO LLC  
IS PROHIBITED.

TITLE:

**ASSEMBLY**

Tuesday, August 4,  
2020 12:54:51 PM

WEIGHT: 13.229

SIZE  
**A**

PART NO.  
PORTRA-SS-8X14-E

REV  
**0**

NO SCALE

SHEET 2 OF 6

PEDESTALPRO.COM  
1-800-660-3072