

## PRODUCT FEATURES

- Designed for security professionals
- Black wrinkle powder coating w/ UV protection
- Universal design
- Heavy duty 14-gauge material
- Steel construction
- Military-grade EPDM rubber seal
- #304 Stainless steel hinge
- 3" Backbox space
- 3" Weather/privacy shroud
- Removable door
- Cam lock included
- Knockouts on backside
- IP54 rating
- NDAA, Buy American, or USMCA/CUSMA compliant
- In-stock, ready-to-ship
- Available direct or through distribution



## CUSTOM OPTIONS

- Factory cutouts available for your devices
- Shorten or extend height, width, or depth
- Readily available powder coating colors (white, yellow, bronze, gray, silver)
- Choose any RAL powder color

## DESCRIPTION

A sturdy steel housing to combine one or more access control devices such as keypads, card readers, intercoms, and entry/exit buttons side by side. Mount on a wall or pedestal at a gate, lobby, or entryway. Outdoor rated with weather/privacy shroud, EPDM rubber seal, stainless steel hinge, and polyester powder-coating with UV inhibitor. Convenient knockouts on the backside. Cam lock included. Door is removable.

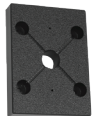
## RECOMMENDED ACCESSORIES

ROTATING HEAD



OMNI-4W5T-BLK

BUFFER PLATE



46PLA-PRO-001-HDP

BUFFER PLATE



CS-ABP-1212

BUFFER PLATE



CS-ABP-1313

HEATER



ACC-HEA-001-304

COOLING FAN



ACC-FAN-001-304

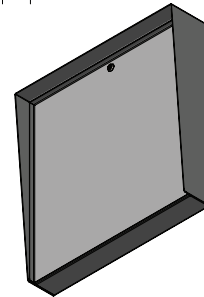
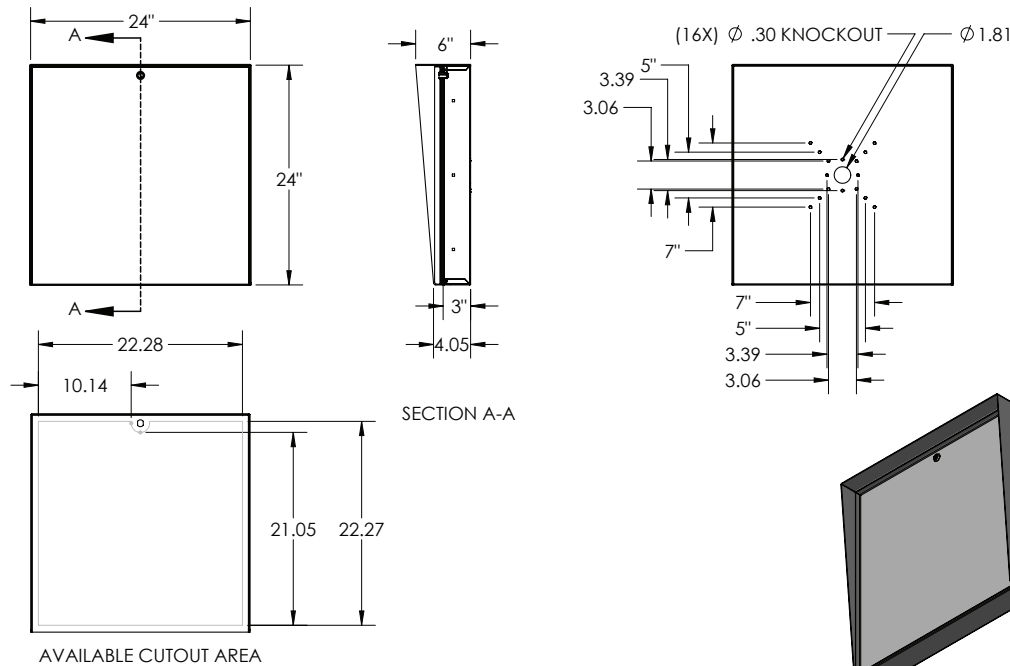
LIGHT KIT



ACC-LED-001

**NOTE:** Real time inventory levels are viewable for registered users on [pedestalpro.com](http://pedestalpro.com)

Model No. **MC-CS-24-E**



**NOTE:** CAD drawing available online.  
Scan for more detail.



**DATA & SPECS**

|                  |  |
|------------------|--|
| Product Style    | Housing  |
| Material         | Steel, .0749" (14 gauge)   |
| Tube             | #304 Stainless steel   |
| Face Plate       | EPDM rubber  |
| Base Plate       | IP54   |
| Cover Plate      | Yes  |
| Mounting Method  | Knockouts, qty 4+  |
| Pretreatment     | High pressure/high temperature phosphate wash and rinse                      |
| Finish           | Black wrinkle powder coating (TGIC outdoor polyester)                        |
| UV Protection    | Yes  |
| Hardware         | none   |
| Packaging        | Foam wrapped and boxed individually  |
| Package Size     | 25 x 26 x 9  |
| Weight           | 24 lbs   |
| Shipping Method  | UPS, FedEx, or LTL freight   |
| Compliance       | NDA, Buy American, or USMCA/CUSMA (see website for details)                  |
| Warranty         | 1 year limited (see website for details)                                     |
| Inventory Status | In-Stock (inventory levels viewable for registered users on pedestalpro.com) |

**SIMILAR PRODUCTS**



MC-SS-24-E



Lando-PC-20x16-E-BLK

