

- NOTES:  
 1. MATERIAL OF CONSTRUCTION IS 304 SS, BRUSHED #4.



PEDESTALPRO.COM  
 1-800-660-3072

UNLESS OTHERWISE SPECIFIED:

DIMENSIONS ARE IN INCHES  
 TOLERANCES:  
 FRACTIONAL:  $\pm 1/32$   
 ANGULAR:  $\pm 2^\circ$   
 TWO PLACE DECIMAL:  $\pm 0.010$   
 THREE PLACE DECIMAL:  $\pm 0.005$

INTERPRET GEOMETRIC  
 TOLERANCING PER:  
 ASME Y14.5 -2009

| NAME    | DATE |
|---------|------|
| DRAWN   |      |
| CHECKED |      |

**PROPRIETARY AND CONFIDENTIAL**  
 THE INFORMATION CONTAINED IN THIS  
 DRAWING IS THE SOLE PROPERTY OF  
 PEDESTALPRO LLC. ANY REPRODUCTION  
 IN PART OR AS A WHOLE WITHOUT THE  
 WRITTEN PERMISSION OF PEDESTALPRO LLC  
 IS PROHIBITED.

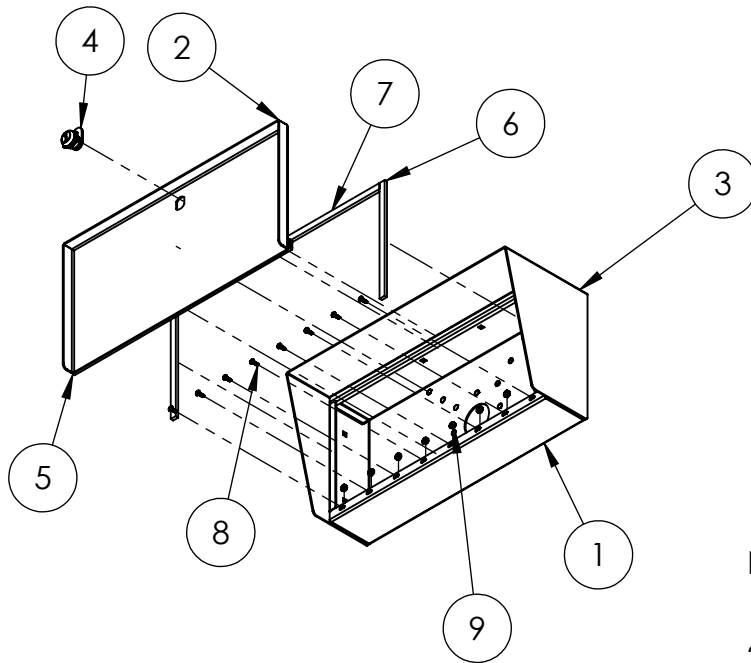
TITLE:  
**INSTALLATION**

Tuesday, August 4,  
 2020 12:54:51 PM

WEIGHT: 14.142

| SIZE     | PART NO.        | REV          |
|----------|-----------------|--------------|
| <b>A</b> | LANDO-SS-16X8-E | <b>0</b>     |
| NO SCALE |                 | SHEET 1 OF 6 |

| ITEM NO. | PART NUMBER               | DESCRIPTION                  | QTY. |
|----------|---------------------------|------------------------------|------|
| 1        | LANDO-SS-16X8-E ENCLOSURE | ENCLOSURE WELDMENT           | 1    |
| 2        | LANDO-SS-16X8-E DOOR      | DOOR WELDMENT                | 1    |
| 3        | LANDO-SS-16X8-E HOOD      | HOOD                         | 1    |
| 4        | CAM LOCK                  | STRAIGHT CAM                 | 1    |
| 5        | HINGE                     | PIANO HINGE                  | 1    |
| 6        | GASKET SIDE               | 3/8" X .150 WEATHERSTRIPPING | 2    |
| 7        | GASKET TOP                | 3/8" X .150 WEATHERSTRIPPING | 1    |
| 8        | --                        | 6-32 PAN HEAD SCREW          | 8    |
| 9        | --                        | 6-32 EXTERNAL TOOTH LOCK NUT | 8    |



NOTES:

1. SEE STANDARD PREPARATION AND COATING INSTRUCTIONS FOR COATING PROCEDURE AND COLOR.
2. SEE STANDARD PACKAGING INSTRUCTIONS FOR PACKAGING PROCEDURE.



PEDESTALPRO.COM  
1-800-660-3072

UNLESS OTHERWISE SPECIFIED:

DIMENSIONS ARE IN INCHES  
TOLERANCES:  
FRACTIONAL  $\pm 1/32$   
ANGULAR:  $\pm 2^\circ$   
TWO PLACE DECIMAL  $\pm 0.010$   
THREE PLACE DECIMAL  $\pm 0.005$

INTERPRET GEOMETRIC  
TOLERANCING PER:  
ASME Y14.5 -2009

| NAME    | DATE |
|---------|------|
| DRAWN   |      |
| CHECKED |      |

**PROPRIETARY AND CONFIDENTIAL**  
THE INFORMATION CONTAINED IN THIS DRAWING IS THE SOLE PROPERTY OF PEDESTALPRO LLC. ANY REPRODUCTION IN PART OR AS A WHOLE WITHOUT THE WRITTEN PERMISSION OF PEDESTALPRO LLC IS PROHIBITED.

TITLE:  
**ASSEMBLY**

Tuesday, August 4,  
2020 12:54:51 PM

WEIGHT: 14.142

|                  |                             |
|------------------|-----------------------------|
| SIZE<br><b>A</b> | PART NO.<br>LANDO-SS-16X8-E |
|------------------|-----------------------------|

REV  
**0**

NO SCALE

SHEET 2 OF 6