

- NOTES:
1. MATERIAL OF CONSTRUCTION IS MILD STEEL.
 2. 2-4 MILS BLACK WRINKLE POWDER COAT.
 1. PWDR-BLACK-WRINKLE



PEDESTALPRO.COM
1-800-660-3072

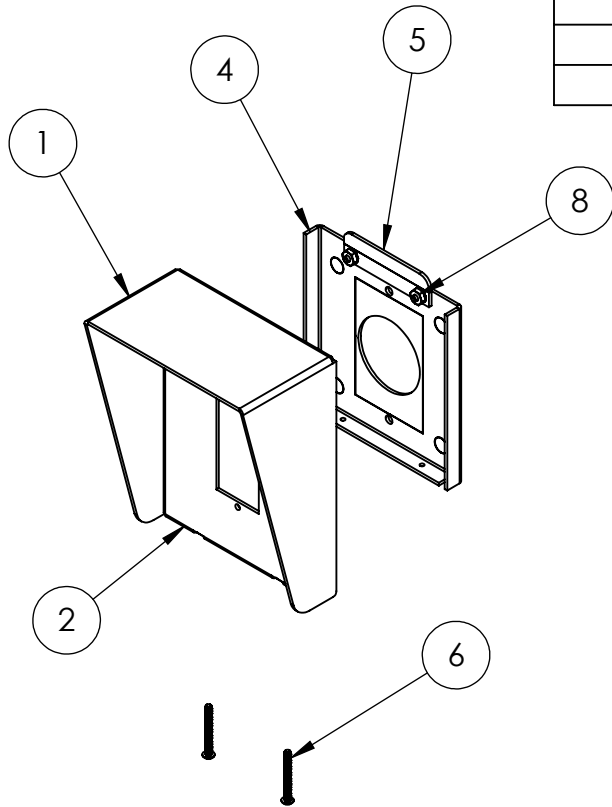
UNLESS OTHERWISE SPECIFIED:
 DIMENSIONS ARE IN INCHES
 TOLERANCES:
 FRACTIONAL ± 1/32
 ANGULAR: ± 2°
 TWO PLACE DECIMAL ± 0.010
 THREE PLACE DECIMAL ± 0.005
 INTERPRET GEOMETRIC TOLERANCING PER: ASME Y14.5 -2009

| NAME | DATE |
|--|------|
| DRAWN | |
| CHECKED | |
| PROPRIETARY AND CONFIDENTIAL | |
| THE INFORMATION CONTAINED IN THIS DRAWING IS THE SOLE PROPERTY OF PEDESTALPRO LLC. ANY REPRODUCTION IN PART OR AS A WHOLE WITHOUT THE WRITTEN PERMISSION OF PEDESTALPRO LLC IS PROHIBITED. | |

TITLE:
INSTALLATION
 Wednesday, January 14, 2026 12:45:58 PM
 WEIGHT: 2.062

| | | |
|------------------|------------------------------|-----------------|
| SIZE A | PART NO. J-HOOD-CS-4.5X6M | REV A |
| NO SCALE | | SHEET 1 OF 8 |

| ITEM NO. | PART NUMBER | DESCRIPTION | QTY. |
|----------|---------------------------------|--|------|
| 1 | J-HOOD-CS-4.5X6M HOOD | HOOD | 1 |
| 2 | J-HOOD-CS-4.5X6M MID PLATE | DEVICE MOUNTING PLATE | 1 |
| 3 | J-HOOD-CS-4.5X6M BOTTOM CLOSURE | BOTTOM CLOSURE | 1 |
| 4 | J-HOOD-CS-4.5X6M BACK PLATE | WALL MOUNTING PLATE | 1 |
| 5 | J-HOOD-CS-4.5X6M HOOK | MOUNTING HOOK | 1 |
| 6 | -- | 6-32 X 1.25" SS TAMPER-RESISTANT TORX SECURITY SCREW | 2 |
| 7 | -- | 6-32 X 3/8 SS PEM STUD | 2 |
| 8 | -- | 6-32 KEPS NUT | 2 |



NOTES:

- SEE STANDARD PREPARATION AND COATING INSTRUCTIONS FOR COATING PROCEDURE AND COLOR.
- SEE STANDARD PACKAGING INSTRUCTIONS FOR PACKAGING PROCEDURE.



PEDESTALPRO.COM
1-800-660-3072

UNLESS OTHERWISE SPECIFIED:

DIMENSIONS ARE IN INCHES
TOLERANCES:
FRACTIONAL $\pm 1/32$
ANGULAR: $\pm 2^\circ$
TWO PLACE DECIMAL ± 0.010
THREE PLACE DECIMAL ± 0.005

INTERPRET GEOMETRIC TOLERANCING PER: ASME Y14.5 -2009

| NAME | DATE |
|---------|------|
| DRAWN | |
| CHECKED | |

PROPRIETARY AND CONFIDENTIAL
THE INFORMATION CONTAINED IN THIS DRAWING IS THE SOLE PROPERTY OF PEDESTALPRO LLC. ANY REPRODUCTION IN PART OR AS A WHOLE WITHOUT THE WRITTEN PERMISSION OF PEDESTALPRO LLC IS PROHIBITED.

TITLE:
ASSEMBLY
Wednesday, January 14, 2026 12:45:58 PM
WEIGHT: 2.062

| SIZE | PART NO. | REV |
|----------|------------------|--------------|
| A | J-HOOD-CS-4.5X6M | A |
| NO SCALE | | SHEET 2 OF 8 |