

Ø 1.10 WIRE PASS/CONDUIT CONNECTION

- NOTES:
1. MATERIAL OF CONSTRUCTION IS 304 SS.
 2. COATED IN 2-4 MILS SILVER POWDER COAT.



PEDESTALPRO.COM
1-800-660-3072

UNLESS OTHERWISE SPECIFIED:

DIMENSIONS ARE IN INCHES
TOLERANCES:
FRACTIONAL ± 1/32
ANGULAR: ± 2°
TWO PLACE DECIMAL ± 0.010
THREE PLACE DECIMAL ± 0.005

INTERPRET GEOMETRIC
TOLERANCING PER:
ASME Y14.5 -2009

NAME	DATE
DRAWN	
CHECKED	

PROPRIETARY AND CONFIDENTIAL
THE INFORMATION CONTAINED IN THIS
DRAWING IS THE SOLE PROPERTY OF
PEDESTALPRO LLC. ANY REPRODUCTION
IN PART OR AS A WHOLE WITHOUT THE
WRITTEN PERMISSION OF PEDESTALPRO LLC
IS PROHIBITED.

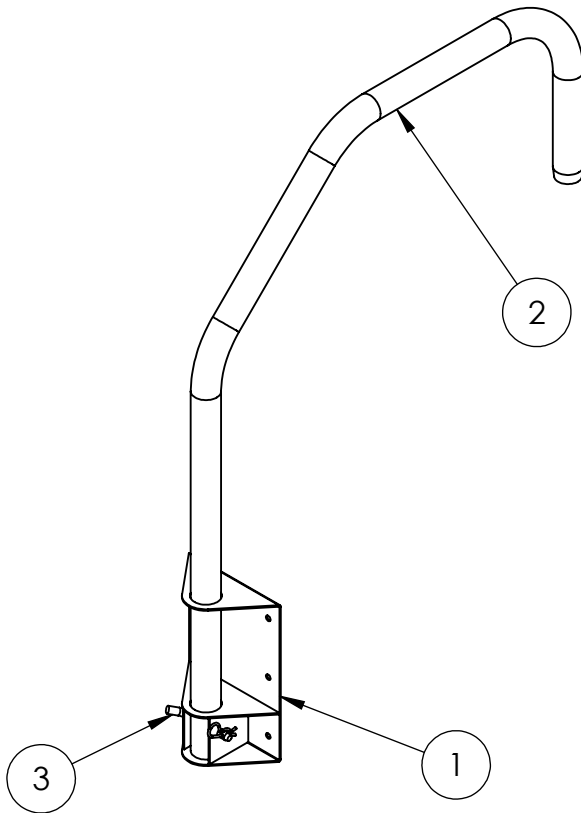
TITLE:
INSTALLATION

Thursday, December
10, 2020 9:21:12 AM

WEIGHT:

SIZE	PART NO.	REV
A	CAMSKY-JHOO-01-304	0

ITEM NO.	PART NUMBER	DESCRIPTION	QTY.
1	CAMSKY-JHOO-01-304 BRACKET	HEAVY DUTY SS WALL MOUNTING BRACKET	1
2	CAMSKY-JHOO-01-304 ARM	HEAVY DUTY SS JHOOK MOUNTING ARM	1
3	--	SS HITCH PIN	1



NOTES:

1. SEE STANDARD PREPARATION AND COATING INSTRUCTIONS FOR COATING PROCEDURE AND COLOR.
2. SEE STANDARD PACKAGING INSTRUCTIONS FOR PACKAGING PROCEDURE.



PEDESTALPRO.COM
1-800-660-3072

UNLESS OTHERWISE SPECIFIED:

DIMENSIONS ARE IN INCHES
TOLERANCES:
FRACTIONAL $\pm 1/32$
ANGULAR: $\pm 2^\circ$
TWO PLACE DECIMAL ± 0.010
THREE PLACE DECIMAL ± 0.005

INTERPRET GEOMETRIC TOLERANCING PER: ASME Y14.5 -2009

NAME	DATE
DRAWN	
CHECKED	

PROPRIETARY AND CONFIDENTIAL
THE INFORMATION CONTAINED IN THIS DRAWING IS THE SOLE PROPERTY OF PEDESTALPRO LLC. ANY REPRODUCTION IN PART OR AS A WHOLE WITHOUT THE WRITTEN PERMISSION OF PEDESTALPRO LLC IS PROHIBITED.

TITLE:
ASSEMBLY

Thursday, December 10, 2020 9:21:12 AM

WEIGHT:

SIZE	PART NO.	REV
A	CAMSKY-JHOO-01-304	0
NO SCALE		SHEET 2 OF 6