

PRODUCT FEATURES

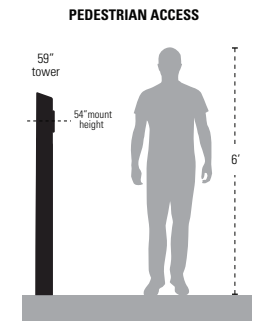
- Luxury aesthetics
- Antimicrobial surface
- Universal design
- Heavy duty materials
- Stainless steel construction
- Brushed #4 (180 grit)
- NDAA, Buy American, or USMCA/CUSMA compliant
- Build To Order (BTO)
- Available direct or through distribution
- ADA compliant

CUSTOM OPTIONS

- Customize device cutout
- Shorten or extend height
- Readily available powder coating colors (white, yellow, bronze, gray, silver)
- Choose any RAL powder color
- Change material to #316 stainless

DESCRIPTION

A stunning bollard for high end decor in lobbies and entryways. Serves as a beautiful showcase for entry/exit buttons, ADA actuators, card readers, and more. Standing approximately 60" tall, this remarkable pedestal comes with a cutout to receive any single gang device of your choice.

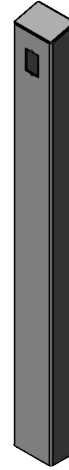
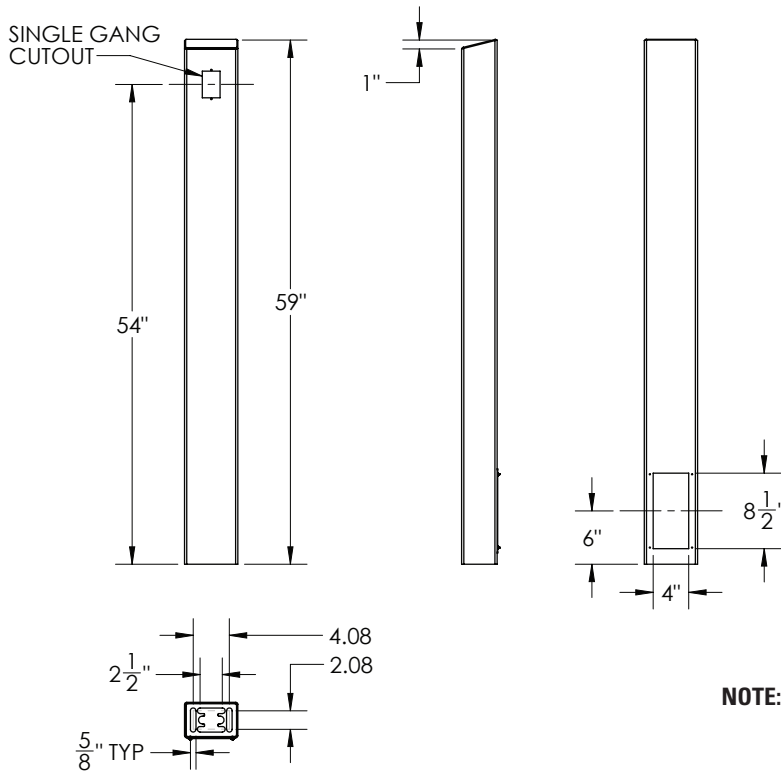


Download Pedestrian Height Chart for more details

RECOMMENDED ACCESSORIES

<p>BOLT KIT</p> <p>Stud-Anchor-500</p>	<p>BOLT KIT</p> <p>L-Bolt-500</p>	<p>HEATER</p> <p>ACC-HEA-001-304</p>	<p>COOLING FAN</p> <p>ACC-FAN-001-304</p>	<p>BUFFER PLATE</p> <p>46PLA-PRO-001-HDP</p>	<p>SHIM KIT</p> <p>Shim-Kit-001</p>
---	--	---	--	---	--

Model No. **ADA-SS-TWR-60x4x6**



NOTE: CAD drawing available online.
Scan for more detail.

DATA & SPECS

Product Style	Bollard
Material	#304 Stainless steel
Tube	4" x 6" x .120" wall, stainless steel #304
Face Plate	n/a
Base Plate	.25" plate, stainless steel #304
Cover Plate	.0749" (14 gauge) stainless steel #304
Mounting Method	Pad mount
Pretreatment	n/a
Finish	Brushed #4 (180 grit) with mirrored corner radiuses
UV Protection	n/a
Hardware	none
Packaging	Foam wrapped and boxed individually
Package Size	64 x 8 x 6
Weight	45 lbs
Shipping Method	UPS, FedEx, or LTL freight
Compliance	NDA, Buy American, or USMCA/CUSMA (see website for details)
Warranty	1 year limited (see website for details)
Inventory Status	Build To Order (Fast Track production is available)

SIMILAR PRODUCTS

