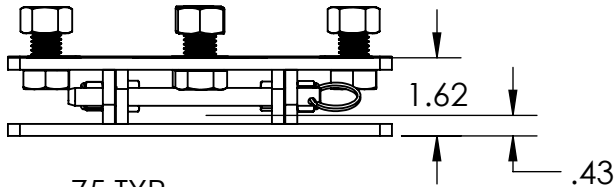
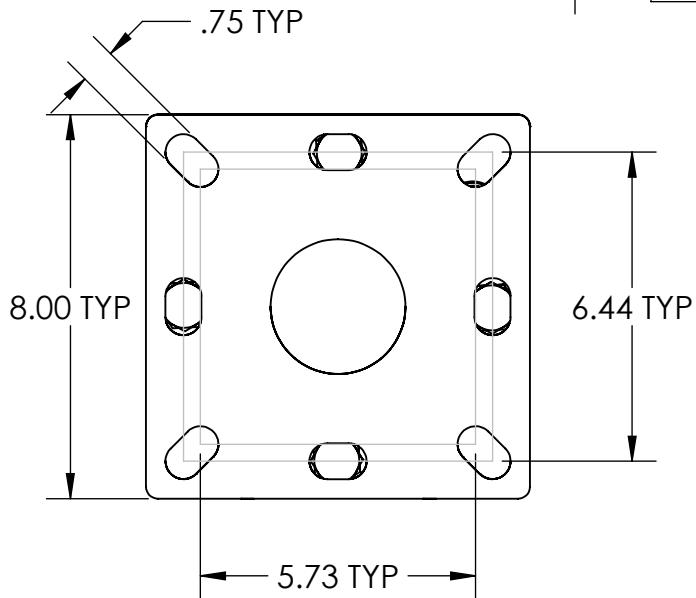


Ø2.81



1.62

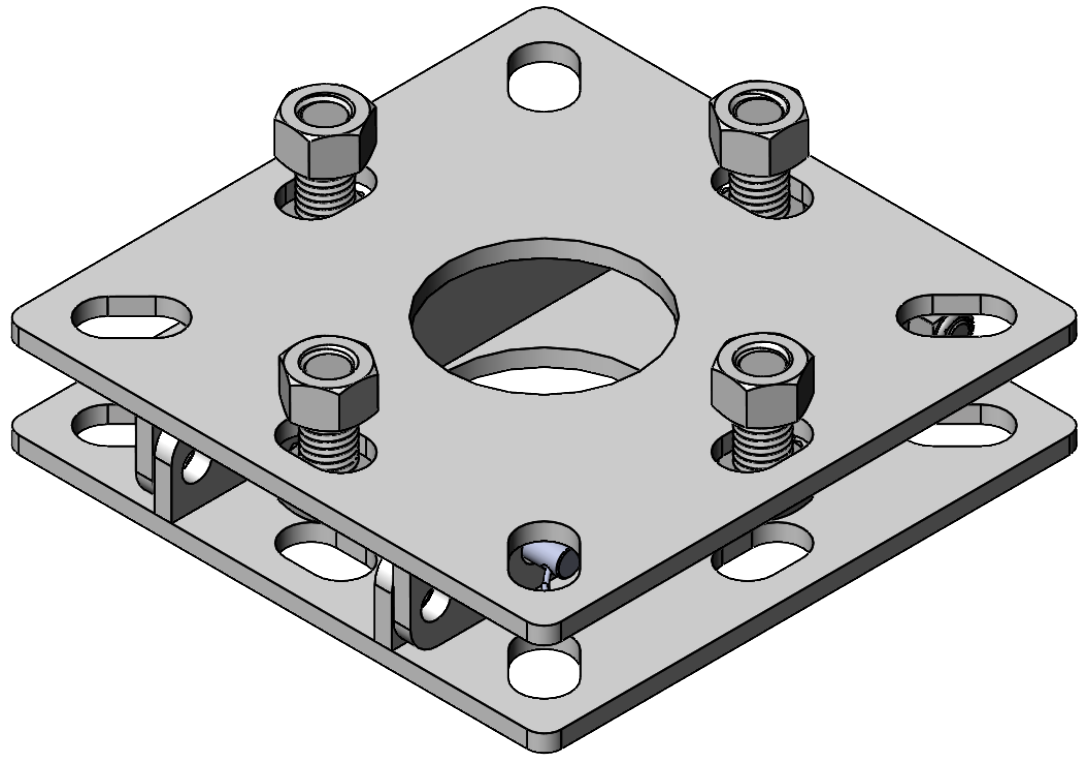
.43



8.00 TYP

6.44 TYP

5.73 TYP



NOTES:

1. MATERIAL OF CONSTRUCTION IS MILD STEEL COATED IN 2-4 MILS BLACK WRINKLE POWDER COATING.
2. MOUNTS ON A STD 8" BASE PLATE AND BREAKS AWAY WHEN STUCK BY A VEHICLE.
3. TRIM BOLTS FLUSH TO THEIR NUT AFTER INSTALL.



PEDESTALPRO.COM
1-800-660-3072

UNLESS OTHERWISE SPECIFIED:

DIMENSIONS ARE IN INCHES
TOLERANCES:
FRACTIONAL: ± 1/32
ANGULAR: ± 2°
TWO PLACE DECIMAL ± 0.010
THREE PLACE DECIMAL ± 0.005

INTERPRET GEOMETRIC
TOLERANCING PER:
ASME Y14.5 -2009

NAME	DATE
DRAWN	
CHECKED	

PROPRIETARY AND CONFIDENTIAL
THE INFORMATION CONTAINED IN THIS DRAWING IS THE SOLE PROPERTY OF PEDESTALPRO LLC. ANY REPRODUCTION IN PART OR AS A WHOLE WITHOUT THE WRITTEN PERMISSION OF PEDESTALPRO LLC IS PROHIBITED.

TITLE:
INSTALLATION

Tuesday, May 6, 2025
11:03:57 AM

WEIGHT: 9.802

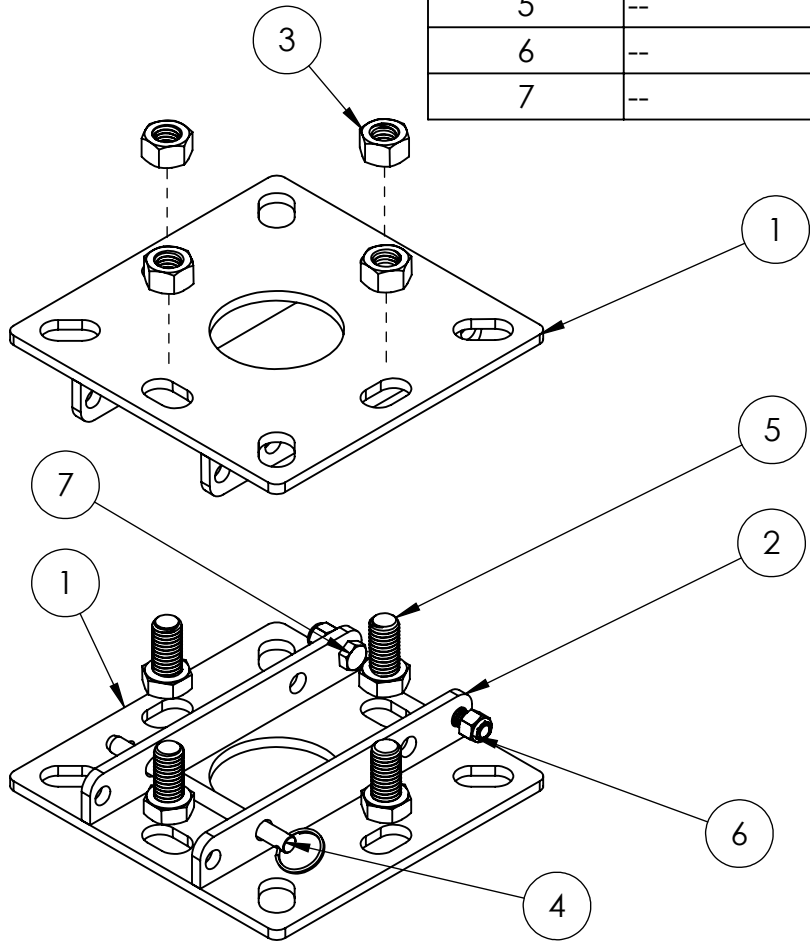
SIZE **A** PART NO.
88LAY-PRO-01-CRS

NO SCALE

REV
0

SHEET 1 OF 5

ITEM NO.	PART NUMBER	DESCRIPTION	QTY.
1	88LAY-PRO-01-CRS PLATE	PLATE	2
2	88LAY-PRO-01-CRS HINGE	HINGE	4
3	--	5/8-11 HEX NUT 18-8	4
4	--	QUICK RELEASE PIN 3/8" DIAM, 4-1/2" LONG	1
5	--	5/8-11 X 1.25" SS HHCS	4
6	--	3/8"-16 SS NYLON LOCK NUT	2
7	--	3/8-16 X 1" SS HHCS	2



NOTES:

1. SEE STANDARD PREPARATION AND COATING INSTRUCTIONS FOR COATING PROCEDURE AND COLOR.
2. SEE STANDARD PACKAGING INSTRUCTIONS FOR PACKAGING PROCEDURE.



PEDESTALPRO.COM
1-800-660-3072

UNLESS OTHERWISE SPECIFIED:

DIMENSIONS ARE IN INCHES
TOLERANCES:
FRACTIONAL $\pm 1/32$
ANGULAR: $\pm 2^\circ$
TWO PLACE DECIMAL ± 0.010
THREE PLACE DECIMAL ± 0.005

INTERPRET GEOMETRIC
TOLERANCING PER:
ASME Y14.5 -2009

NAME	DATE
DRAWN	
CHECKED	

PROPRIETARY AND CONFIDENTIAL
THE INFORMATION CONTAINED IN THIS DRAWING IS THE SOLE PROPERTY OF PEDESTALPRO LLC. ANY REPRODUCTION IN PART OR AS A WHOLE WITHOUT THE WRITTEN PERMISSION OF PEDESTALPRO LLC IS PROHIBITED.

TITLE:
ASSEMBLY

Friday, February 12,
2021 12:58:12 PM

WEIGHT: 9.802

SIZE **A** PART NO.
88LAY-PRO-01-CRS

REV
0

NO SCALE

SHEET 2 OF 5