

- NOTES:
1. MATERIAL OF CONSTRUCTION IS MILD STEEL COATED IN 2-4 MILS OF BLACK WRINKLE POWDER COAT.
  2. MOUNTS TO A STND 8" BASE PLATE AND WILL BREAK AWAY WHEN STUCK BY A VEHICLE.
  3. TRIM BOLTS TO BE FLUSH WITH THEIR NUT AFTER INSTALL.



PEDESTALPRO.COM  
1-800-660-3072

UNLESS OTHERWISE SPECIFIED:

DIMENSIONS ARE IN INCHES  
TOLERANCES:  
FRACTIONAL  $\pm 1/32$   
ANGULAR:  $\pm 2^\circ$   
TWO PLACE DECIMAL  $\pm 0.010$   
THREE PLACE DECIMAL  $\pm 0.005$

INTERPRET GEOMETRIC  
TOLERANCING PER:  
ASME Y14.5 -2009

NAME DATE

DRAWN

CHECKED

**PROPRIETARY AND CONFIDENTIAL**

THE INFORMATION CONTAINED IN THIS  
DRAWING IS THE SOLE PROPERTY OF  
PEDESTALPRO LLC. ANY REPRODUCTION  
IN PART OR AS A WHOLE WITHOUT THE  
WRITTEN PERMISSION OF PEDESTALPRO LLC  
IS PROHIBITED.

TITLE:

INSTALLATION

Monday, December  
14, 2020 10:34:02 AM

WEIGHT: 5.243

SIZE  
**A**

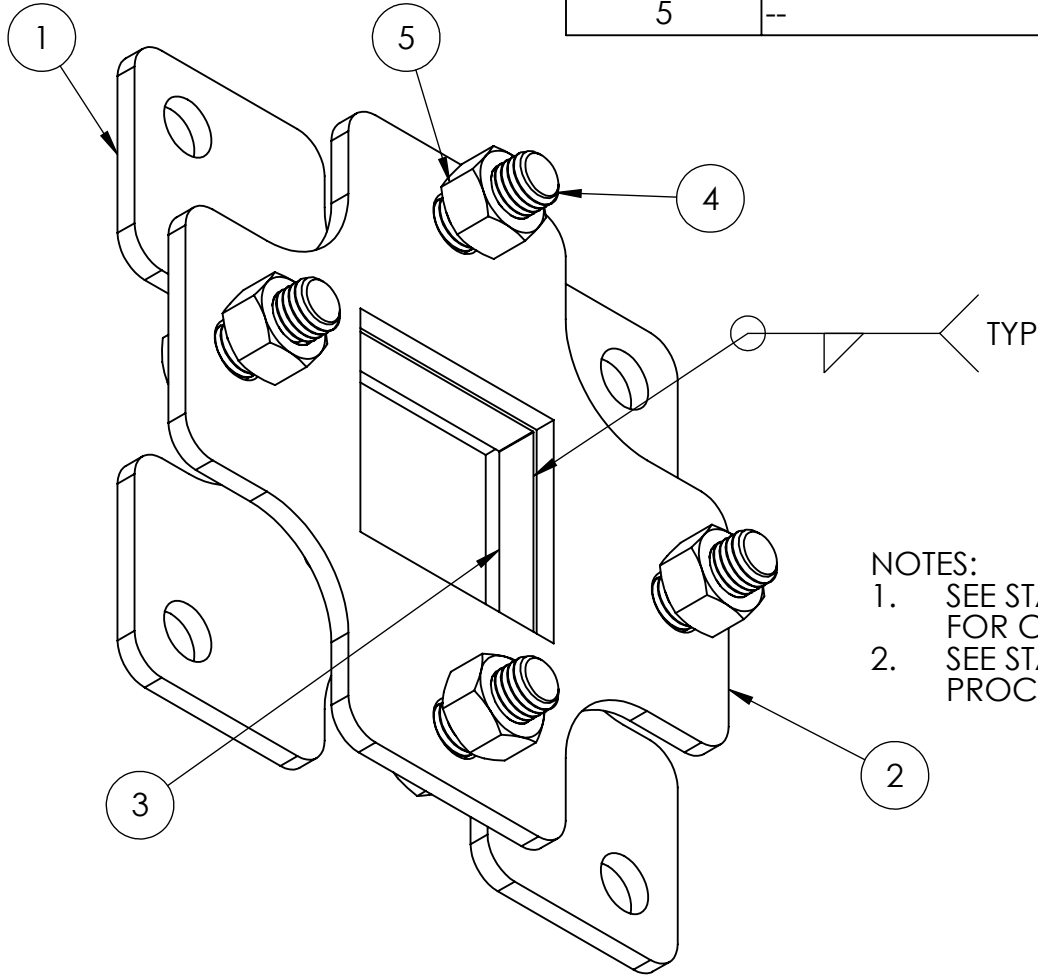
PART NO.  
88BRE-PRO-01-CRS

REV  
**0**

NO SCALE

SHEET 1 OF 5

ITEM NO.	PART NUMBER	DESCRIPTION	QTY.
1	PLTBAS-8-BRK-1	BREAK AWAY BASE BOTTOM PLATE	1
2	PLTBAS-8-BRK-2	BREAK AWY BASE TOP PLATE	1
3	88BRE-PRO-01-CRS TUBE	BREAK AWAY TUBE	1
4	--	5/8-11 X 1" NYLON HEX BOLT	4
5	--	5/8-11 NYLON HEX NUT	4



NOTES:

1. SEE STANDARD PREPARATION AND COATING INSTRUCTIONS FOR COATING PROCEDURE AND COLOR.
2. SEE STANDARD PACKAGING INSTRUCTIONS FOR PACKAGING PROCEDURE.



PEDESTALPRO.COM  
1-800-660-3072

UNLESS OTHERWISE SPECIFIED:

DIMENSIONS ARE IN INCHES  
TOLERANCES:  
FRACTIONAL  $\pm 1/32$   
ANGULAR:  $\pm 2^\circ$   
TWO PLACE DECIMAL  $\pm 0.010$   
THREE PLACE DECIMAL  $\pm 0.005$

INTERPRET GEOMETRIC  
TOLERANCING PER:  
ASME Y14.5 -2009

NAME	DATE
DRAWN	
CHECKED	

**PROPRIETARY AND CONFIDENTIAL**  
THE INFORMATION CONTAINED IN THIS  
DRAWING IS THE SOLE PROPERTY OF  
PEDESTALPRO LLC. ANY REPRODUCTION  
IN PART OR AS A WHOLE WITHOUT THE  
WRITTEN PERMISSION OF PEDESTALPRO LLC  
IS PROHIBITED.

TITLE:  
**ASSEMBLY**

Monday, December  
14, 2020 10:34:02 AM

WEIGHT: 5.243

SIZE	PART NO.	REV
<b>A</b>	88BRE-PRO-01-CRS	<b>0</b>

NO SCALE

SHEET 2 OF 5