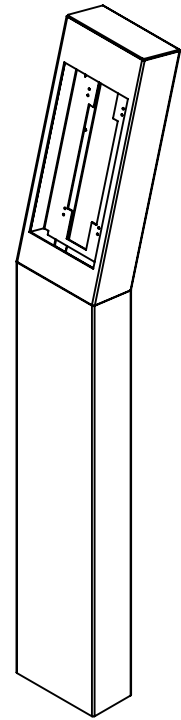
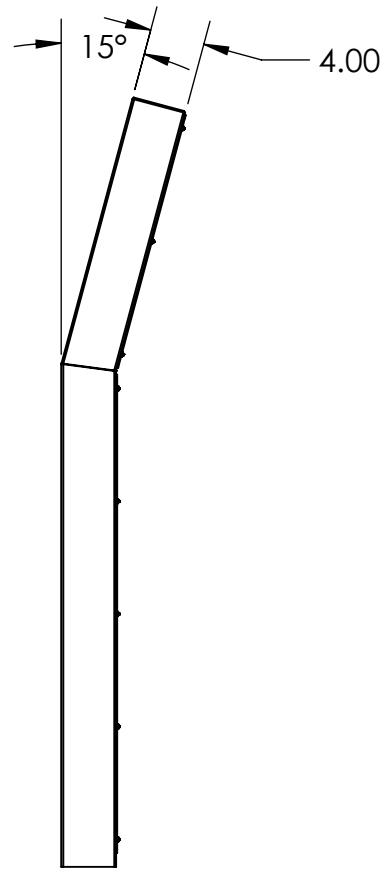
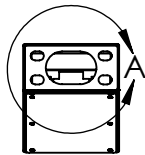
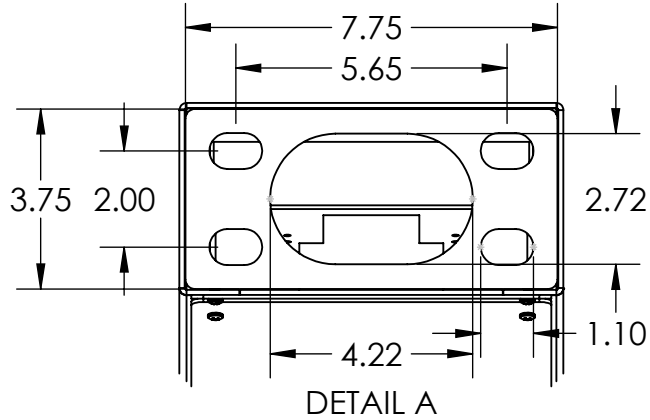


2N IP STYLE
 FLUSH MOUNT CUTOUT
 *REQUIRES 2N FLUSH MOUNT
 BACK BOX
 P/N: 02405-001
 8-32 TAPPED HOLES



NOTES:
 1. MATERIAL OF CONSTRUCTION IS 304 SS, BRUSHED #4.



PEDESTALPRO.COM
 1-800-660-3072

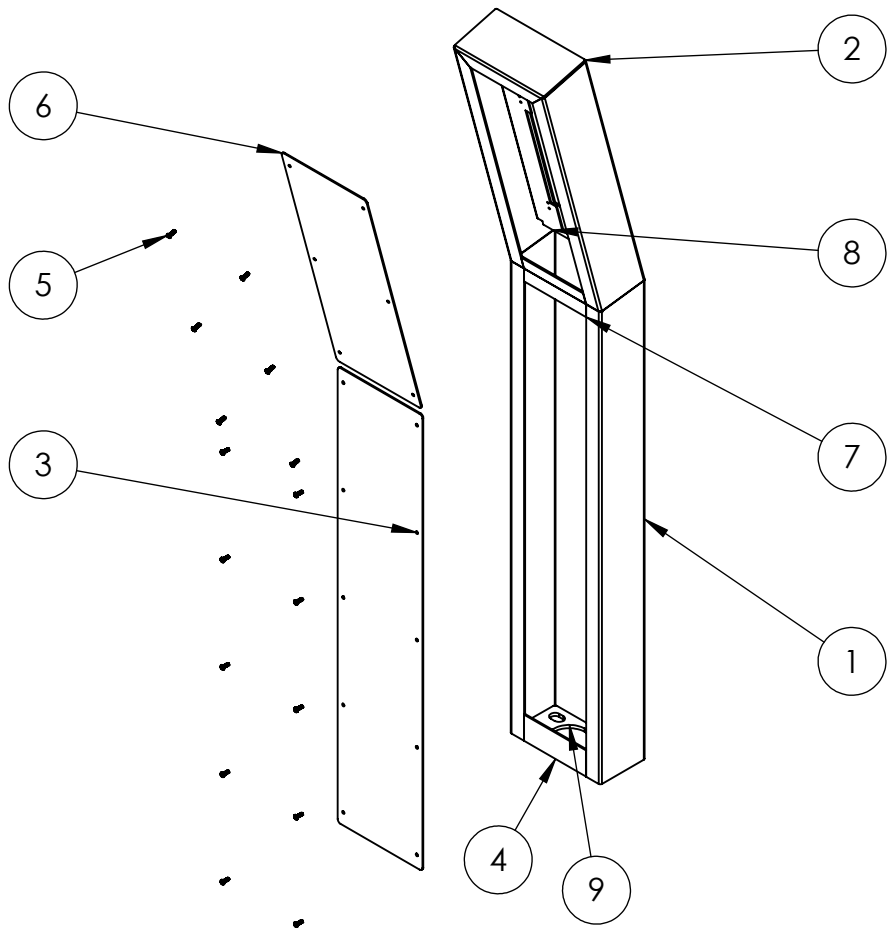
UNLESS OTHERWISE SPECIFIED:

DIMENSIONS ARE IN INCHES
 TOLERANCES:
 FRACTIONAL $\pm 1/32$
 ANGULAR: $\pm 2^\circ$
 TWO PLACE DECIMAL ± 0.010
 THREE PLACE DECIMAL ± 0.005

INTERPRET GEOMETRIC
 TOLERANCING PER:
 ASME Y14.5 -2009

| NAME | DATE |
|--|------|
| DRAWN PE | |
| CHECKED | |
| PROPRIETARY AND CONFIDENTIAL | |
| THE INFORMATION CONTAINED IN THIS DRAWING IS THE SOLE PROPERTY OF PEDESTALPRO LLC. ANY REPRODUCTION IN PART OR AS A WHOLE WITHOUT THE WRITTEN PERMISSION OF PEDESTALPRO LLC IS PROHIBITED. | |

| | | | | |
|--|--|------------------|-------------------------------|-----------------|
| TITLE: INSTALLATION | | SIZE A | PART NO. 84TOW-2NIP-02-304 | REV A |
| Friday, November 14, 2025 10:30:55 AM | | NO SCALE | | SHEET 1 OF 11 |
| WEIGHT: 43.412 | | | | |



| ITEM NO. | PART NUMBER | DESCRIPTION | QTY. |
|----------|---|----------------------------------|------|
| 1 | 84TOW-2NIP-02-304 MAIN BODY | MAIN BODY | 1 |
| 2 | 84TOW-2NIP-02-304 TOP | TOP | 1 |
| 3 | 84TOW-2NIP-02-304 ACCESS PANEL | ACCESS PANEL | 1 |
| 4 | 84TOW-2NIP-02-304 BACK CLOSURE | BACK CLOSURE | 1 |
| 5 | -- | 8-32 X 1/2" SS PAN HEAD SCREW | 16 |
| 6 | 84TOW-2NIP-02-304 ACCESS PANEL UPPER | ACCESS PANEL | 1 |
| 7 | 84TOW-2NIP-02-304 MIDDLE CLOSURE | STRUCTURAL CLOSURE | 1 |
| 8 | BRA-IP2N-FM STYLE | FLUSH MOUNT BRACKET | 1 |
| 9 | 84TOW-2NIP-02-304 BASE PLATE | BASE PLATE | 1 |

NOTES:

1. SEE STANDARD PREPARATION AND COATING INSTRUCTIONS FOR COATING PROCEDURE AND COLOR.
2. SEE STANDARD PACKAGING INSTRUCTIONS FOR PACKAGING PROCEDURE.



PEDESTALPRO.COM
1-800-660-3072

UNLESS OTHERWISE SPECIFIED:

DIMENSIONS ARE IN INCHES
TOLERANCES:
FRACTIONAL $\pm 1/32$
ANGULAR: $\pm 2^\circ$
TWO PLACE DECIMAL ± 0.010
THREE PLACE DECIMAL ± 0.005

INTERPRET GEOMETRIC
TOLERANCING PER:
ASME Y14.5 -2009

| NAME | DATE |
|---------|------|
| DRAWN | |
| CHECKED | |

PROPRIETARY AND CONFIDENTIAL

THE INFORMATION CONTAINED IN THIS DRAWING IS THE SOLE PROPERTY OF PEDESTALPRO LLC. ANY REPRODUCTION IN PART OR AS A WHOLE WITHOUT THE WRITTEN PERMISSION OF PEDESTALPRO LLC IS PROHIBITED.

TITLE:

ASSEMBLY

Friday, November 14,
2025 10:30:55 AM

WEIGHT: 43.412

SIZE
A

PART NO.
84TOW-2NIP-02-304

REV
A

NO SCALE

SHEET 2 OF 11