

NOTES:

1. MATERIAL OF CONSTRUCTION IS MILD STEEL.
2. 2-4 MILS BLACK WRINKLE POWDER COAT.
 1. PWDR-BLACK-WRINKLE



PEDESTALPRO.COM
1-800-660-3072

UNLESS OTHERWISE SPECIFIED: ★

DIMENSIONS ARE IN INCHES
TOLERANCES:
FRACTIONAL ± 1/32
ANGULAR: ± 2°
TWO PLACE DECIMAL ± 0.010
THREE PLACE DECIMAL ± 0.005

INTERPRET GEOMETRIC
TOLERANCING PER:
ASME Y14.5 -2009

| ★ | NAME | DATE |
|---------|------|------|
| DRAWN | | |
| CHECKED | | |

PROPRIETARY AND CONFIDENTIAL
THE INFORMATION CONTAINED IN THIS DRAWING IS THE SOLE PROPERTY OF PEDESTALPRO LLC. ANY REPRODUCTION IN PART OR AS A WHOLE WITHOUT THE WRITTEN PERMISSION OF PEDESTALPRO LLC IS PROHIBITED.

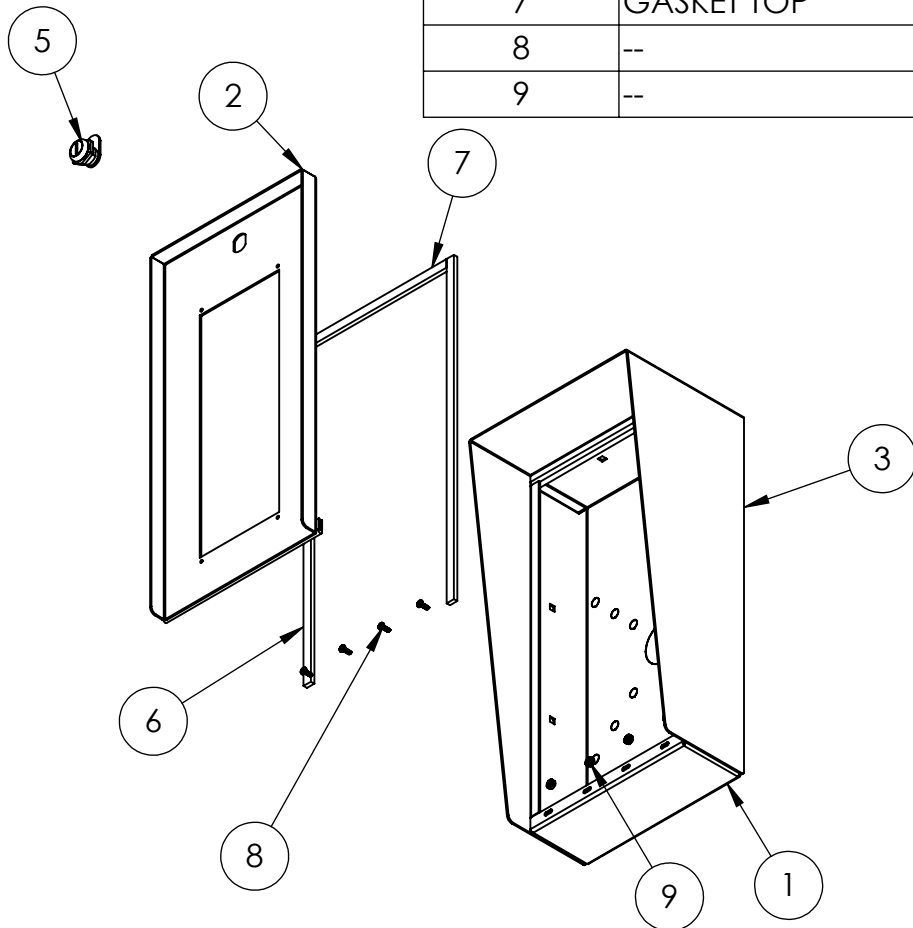
TITLE:
INSTALLATION

Wednesday, July 24, 2024
3:13:21 PM

WEIGHT: 12.919

| SIZE | PART NO. | REV |
|----------|--------------------|--------------|
| A | 816HOU-AIPH-02-CRS | C |
| NO SCALE | | SHEET 1 OF 6 |

| ITEM NO. | PART NUMBER | DESCRIPTION | QTY. |
|----------|------------------------------|------------------------------|------|
| 1 | 816HOU-AIPH-02-CRS ENCLOSURE | ENCLOSURE WELDMENT | 1 |
| 2 | 816HOU-AIPH-02-CRS DOOR | DOOR WELDMENT | 1 |
| 3 | 816HOU-AIPH-02-CRS HOOD | HOOD | 1 |
| 4 | HINGE | PIANO HINGE | 1 |
| 5 | CAM LOCK | STRAIGHT CAM | 1 |
| 6 | GASKET SIDE | 3/8" X .150 WEATHERSTRIPPING | 2 |
| 7 | GASKET TOP | 3/8" X .150 WEATHERSTRIPPING | 1 |
| 8 | -- | 6-32 PAN HEAD SCREW | 4 |
| 9 | -- | 6-32 EXTERNAL TOOTH LOCK NUT | 4 |



NOTES:

1. SEE STANDARD PREPARATION AND COATING INSTRUCTIONS FOR COATING PROCEDURE AND COLOR.
2. SEE STANDARD PACKAGING INSTRUCTIONS FOR PACKAGING PROCEDURE.



PEDESTALPRO.COM
1-800-660-3072

UNLESS OTHERWISE SPECIFIED:

DIMENSIONS ARE IN INCHES
TOLERANCES:
FRACTIONAL $\pm 1/32$
ANGULAR: $\pm 2^\circ$
TWO PLACE DECIMAL ± 0.010
THREE PLACE DECIMAL ± 0.005

INTERPRET GEOMETRIC
TOLERANCING PER:
ASME Y14.5 -2009

NAME DATE

DRAWN

CHECKED

PROPRIETARY AND CONFIDENTIAL

THE INFORMATION CONTAINED IN THIS
DRAWING IS THE SOLE PROPERTY OF
PEDESTALPRO LLC. ANY REPRODUCTION
IN PART OR AS A WHOLE WITHOUT THE
WRITTEN PERMISSION OF PEDESTALPRO LLC
IS PROHIBITED.

TITLE:

ASSEMBLY

Wednesday, July 24, 2024
3:13:21 PM

WEIGHT: 12.919

SIZE
A

PART NO.
816HOU-AIPH-02-CRS

REV
C

NO SCALE

SHEET 2 OF 6