

- NOTES:
1. MOUNTS THE FOLLOWING CONTROL 4 MODELS: C4-DS2FM AND C4-DS2FMKP
 2. 2N MODELS: VERSO 2 MODULE



PEDESTALPRO.COM
1-800-660-3072

UNLESS OTHERWISE SPECIFIED:

DIMENSIONS ARE IN INCHES
TOLERANCES:
FRACTIONAL: $\pm 1/32$
ANGULAR: $\pm 2^\circ$
TWO PLACE DECIMAL: ± 0.010
THREE PLACE DECIMAL: ± 0.005

INTERPRET GEOMETRIC
TOLERANCING PER:
ASME Y14.5 -2009

NAME	DATE
DRAWN	
CHECKED	

PROPRIETARY AND CONFIDENTIAL
THE INFORMATION CONTAINED IN THIS DRAWING IS THE SOLE PROPERTY OF PEDESTALPRO LLC. ANY REPRODUCTION IN PART OR AS A WHOLE WITHOUT THE WRITTEN PERMISSION OF PEDESTALPRO LLC IS PROHIBITED.

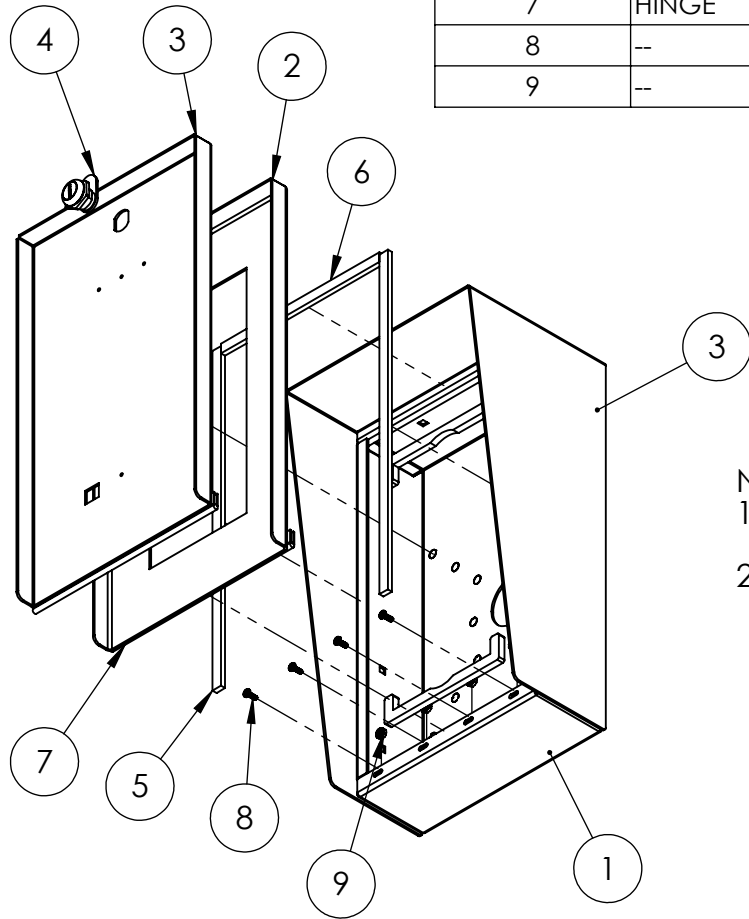
TITLE:
INSTALLATION

Tuesday, September 11, 2018 9:34:19 AM

WEIGHT:

SIZE	PART NO.	REV
A	814HOU-PED-001-304	A
	NO SCALE	SHEET 1 OF 8

ITEM NO.	PART NUMBER	DESCRIPTION	QTY.
1	814HOU-PED-001-304 ENCLOSURE	ENCLOSURE WELDMENT	1
2	814HOU-PED-001-304 DOOR	DOOR WELDMENT	1
3	814HOU-PED-001-304 DOOR 2	DOOR 2 WELDMENT	1
4	CAM LOCK	STRAIGHT CAM	1
5	GASKET SIDE	3/8 X .150 WEATHERSTRIPPING	2
6	GASKET TOP	3/8 X .150 WEATHERSTRIPPING	1
7	HINGE	PIANO HINGE	1
8	--	6-32 X 3/8 SS BUTTON HEAD SCREW	4
9	--	6-32 EXTERNAL TOOTH LOCK NUT	4



NOTES:

1. SEE STANDARD PREPARATION AND COATING INSTRUCTIONS FOR COATING PROCEDURE AND COLOR.
2. SEE STANDARD PACKAGING INSTRUCTIONS FOR PACKAGING PROCEDURE.



PEDESTALPRO.COM
1-800-660-3072

UNLESS OTHERWISE SPECIFIED:

DIMENSIONS ARE IN INCHES
TOLERANCES:
FRACTIONAL $\pm 1/32$
ANGULAR: $\pm 2^\circ$
TWO PLACE DECIMAL ± 0.010
THREE PLACE DECIMAL ± 0.005

INTERPRET GEOMETRIC
TOLERANCING PER:
ASME Y14.5 -2009

NAME	DATE
DRAWN	
CHECKED	
PROPRIETARY AND CONFIDENTIAL	
THE INFORMATION CONTAINED IN THIS DRAWING IS THE SOLE PROPERTY OF PEDESTALPRO LLC. ANY REPRODUCTION IN PART OR AS A WHOLE WITHOUT THE WRITTEN PERMISSION OF PEDESTALPRO LLC IS PROHIBITED.	

TITLE:
ASSEMBLY

Tuesday, September
11, 2018 9:34:19 AM

WEIGHT:

SIZE A	PART NO. 814HOU-PED-001-304
------------------	--------------------------------

REV A

NO SCALE

SHEET 2 OF 8