

AVAILABLE CUTOUT AREA

NOTES:
1. MATERIAL OF CONSTRUCTION IS 304 SS, BRUSHED #4.



PEDESTALPRO.COM
1-800-660-3072

UNLESS OTHERWISE SPECIFIED:
★
DIMENSIONS ARE IN INCHES
TOLERANCES:
FRACTIONAL $\pm 1/32$
ANGULAR: $\pm 2^\circ$
TWO PLACE DECIMAL ± 0.010
THREE PLACE DECIMAL ± 0.005

INTERPRET GEOMETRIC
TOLERANCING PER:
ASME Y14.5 -2009

NAME	DATE
DRAWN PE	
CHECKED	
PROPRIETARY AND CONFIDENTIAL	
THE INFORMATION CONTAINED IN THIS DRAWING IS THE SOLE PROPERTY OF PEDESTALPRO LLC. ANY REPRODUCTION IN PART OR AS A WHOLE WITHOUT THE WRITTEN PERMISSION OF PEDESTALPRO LLC IS PROHIBITED.	

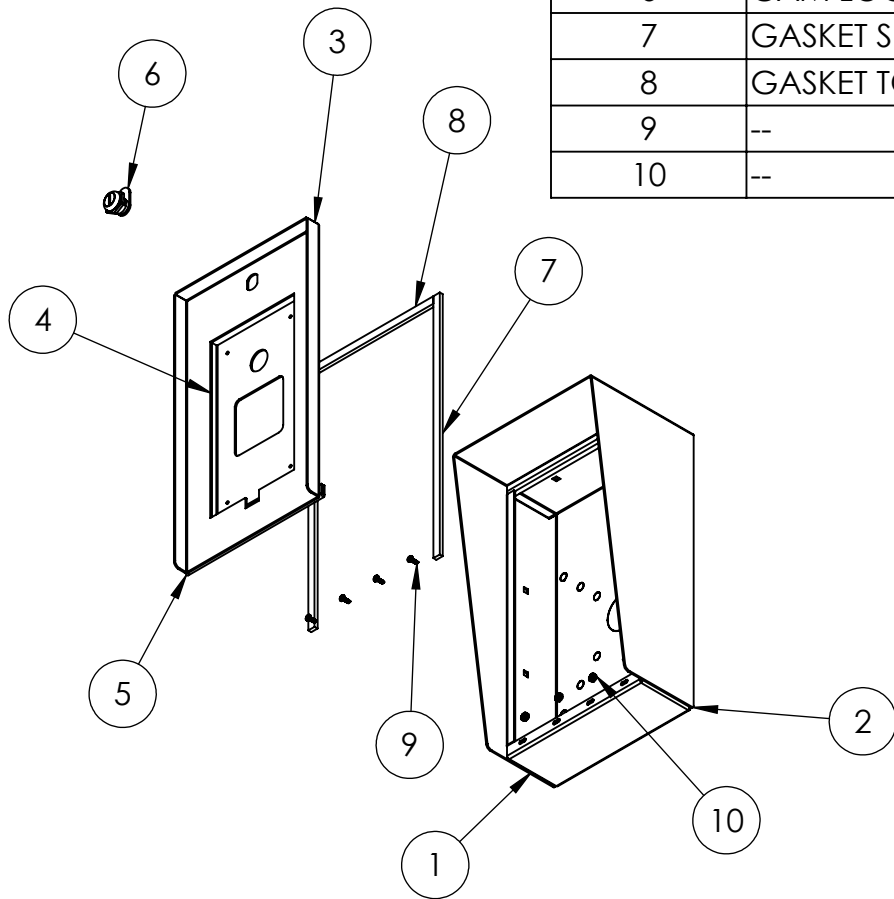
TITLE:
INSTALLATION

Monday, August 18, 2025
9:22:05 AM

WEIGHT: 13.209

SIZE	PART NO.	REV
A	814HOU-CREW-01-304	A
NO SCALE		SHEET 1 OF 7

ITEM NO.	PART NUMBER	DESCRIPTION	QTY.
1	814HOU-CREW-01-304 ENCLOSURE	ENCLOSURE WELDMENT	1
2	814HOU-CREW-01-304 HOOD	HOOD	1
3	814HOU-CREW-01-304 DOOR	DOOR WELDMENT	1
4	BA8300 FLUSH BRACKET	DEVICE BRACKET	1
5	HINGE	PIANO HINGE	1
6	CAM LOCK	STRAIGHT CAM	1
7	GASKET SIDE	3/8" X .150 WEATHERSTRIPPING	2
8	GASKET TOP	3/8" X .150 WEATHERSTRIPPING	1
9	--	6-32 PAN HEAD SCREW	4
10	--	6-32 EXTERNAL TOOTH LOCK NUT	4



NOTES:

1. SEE STANDARD PREPARATION AND COATING INSTRUCTIONS FOR COATING PROCEDURE AND COLOR.
2. SEE STANDARD PACKAGING INSTRUCTIONS FOR PACKAGING PROCEDURE.



PEDESTALPRO.COM
1-800-660-3072

UNLESS OTHERWISE SPECIFIED:

DIMENSIONS ARE IN INCHES
TOLERANCES:
FRACTIONAL $\pm 1/32$
ANGULAR: $\pm 2^\circ$
TWO PLACE DECIMAL ± 0.010
THREE PLACE DECIMAL ± 0.005

INTERPRET GEOMETRIC
TOLERANCING PER:
ASME Y14.5 -2009

NAME DATE

DRAWN

CHECKED

PROPRIETARY AND CONFIDENTIAL

THE INFORMATION CONTAINED IN THIS
DRAWING IS THE SOLE PROPERTY OF
PEDESTALPRO LLC. ANY REPRODUCTION
IN PART OR AS A WHOLE WITHOUT THE
WRITTEN PERMISSION OF PEDESTALPRO LLC
IS PROHIBITED.

TITLE:

ASSEMBLY

Monday, August 18, 2025
9:22:05 AM

WEIGHT: 13.209

SIZE
A

PART NO.
814HOU-CREW-01-304

REV
A

NO SCALE

SHEET 2 OF 7