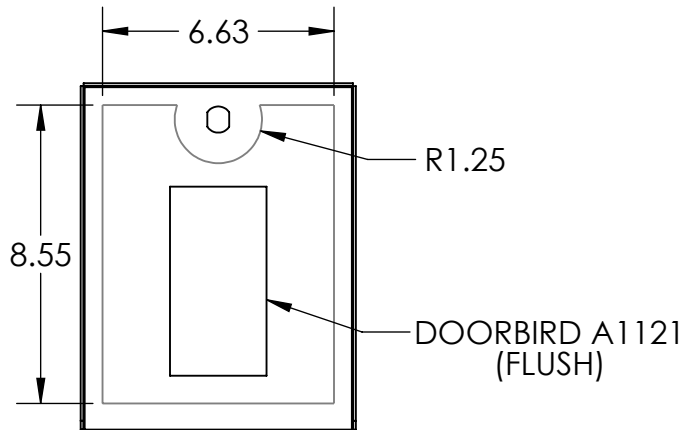
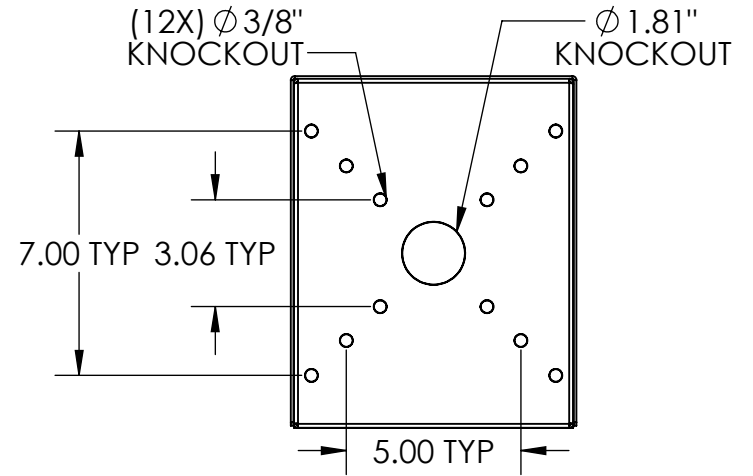
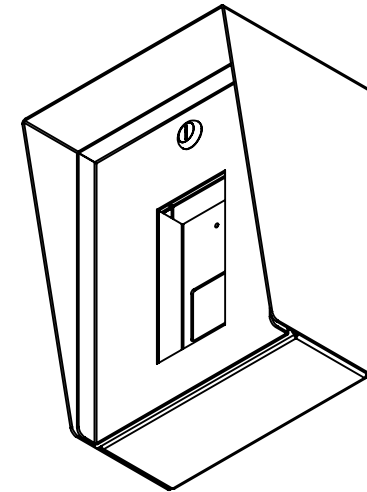


SECTION A-A



AVAILABLE CUTOUT AREA



NOTES:

1. MATERIAL OF CONSTRUCTION IS MILD STEEL.
2. 2-4 MILS BLACK WRINKLE POWDER COAT.
  1. PWDR-BLACK-WRINKLE



PEDESTALPRO.COM  
1-800-660-3072

UNLESS OTHERWISE SPECIFIED: ★

DIMENSIONS ARE IN INCHES  
TOLERANCES:  
FRACTIONAL  $\pm 1/32$   
ANGULAR:  $\pm 2^\circ$   
TWO PLACE DECIMAL  $\pm 0.010$   
THREE PLACE DECIMAL  $\pm 0.005$

INTERPRET GEOMETRIC  
TOLERANCING PER:  
ASME Y14.5 -2009

| ★       | NAME | DATE |
|---------|------|------|
| DRAWN   |      |      |
| CHECKED |      |      |

**PROPRIETARY AND CONFIDENTIAL**  
THE INFORMATION CONTAINED IN THIS DRAWING IS THE SOLE PROPERTY OF PEDESTALPRO LLC. ANY REPRODUCTION IN PART OR AS A WHOLE WITHOUT THE WRITTEN PERMISSION OF PEDESTALPRO LLC IS PROHIBITED.

TITLE:  
**INSTALLATION**

Wednesday, October 23,  
2024 1:18:56 PM

WEIGHT: 9.695

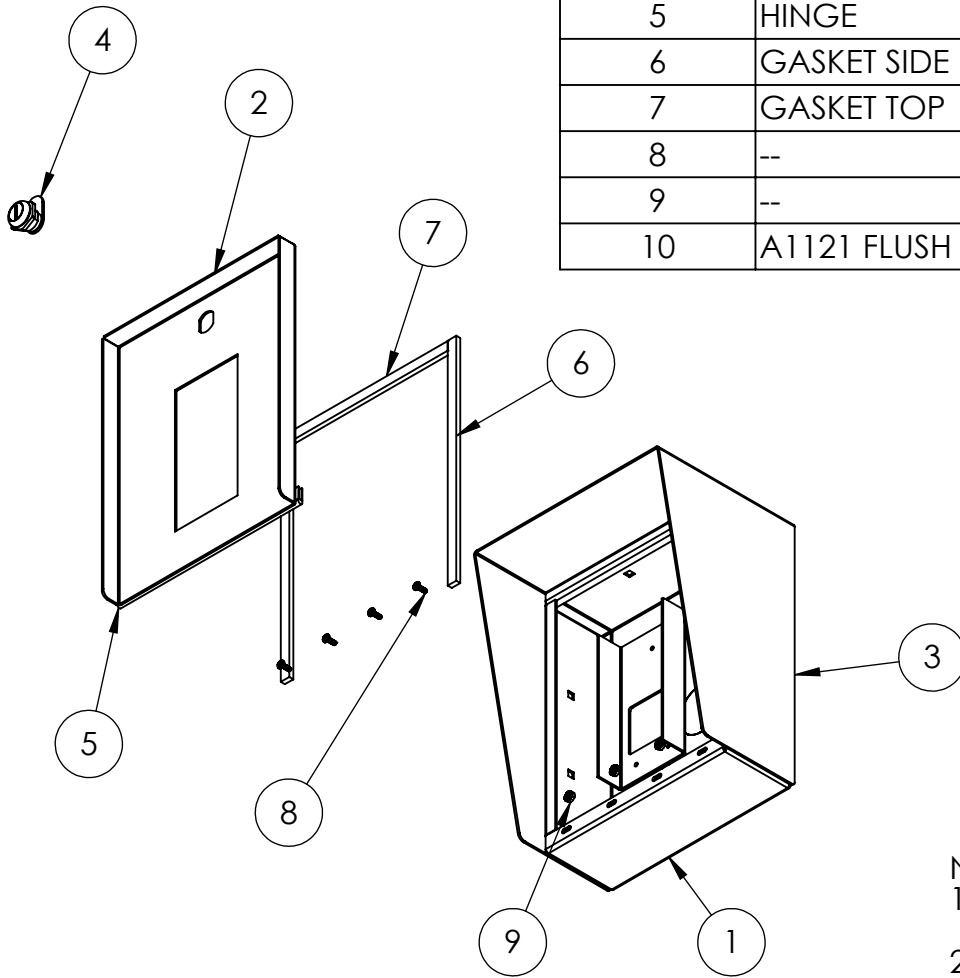
|          |                    |
|----------|--------------------|
| SIZE     | PART NO.           |
| <b>A</b> | 810HOU-DOOR-01-CRS |

|          |
|----------|
| REV      |
| <b>C</b> |

NO SCALE

SHEET 1 OF 7

| ITEM NO. | PART NUMBER                  | DESCRIPTION                  | QTY. |
|----------|------------------------------|------------------------------|------|
| 1        | 810HOU-DOOR-01-CRS ENCLOSURE | ENCLOSURE WELDMENT           | 1    |
| 2        | 810HOU-DOOR-01-CRS DOOR      | DOOR WELDMENT                | 1    |
| 3        | 810HOU-DOOR-01-CRS HOOD      | HOOD                         | 1    |
| 4        | CAM LOCK                     | STRAIGHT CAM                 | 1    |
| 5        | HINGE                        | PIANO HINGE                  | 1    |
| 6        | GASKET SIDE                  | 3/8" X .150 WEATHERSTRIPPING | 2    |
| 7        | GASKET TOP                   | 3/8" X .150 WEATHERSTRIPPING | 1    |
| 8        | --                           | 6-32 PAN HEAD SCREW          | 4    |
| 9        | --                           | 6-32 EXTERNAL TOOTH LOCK NUT | 4    |
| 10       | A1121 FLUSH BRACKET          | BRACKET                      | 1    |



NOTES:

- SEE STANDARD PREPARATION AND COATING INSTRUCTIONS FOR COATING PROCEDURE AND COLOR.
- SEE STANDARD PACKAGING INSTRUCTIONS FOR PACKAGING PROCEDURE.



PEDESTALPRO.COM  
1-800-660-3072

UNLESS OTHERWISE SPECIFIED:

DIMENSIONS ARE IN INCHES  
TOLERANCES:  
FRACTIONAL  $\pm 1/32$   
ANGULAR:  $\pm 2^\circ$   
TWO PLACE DECIMAL  $\pm 0.010$   
THREE PLACE DECIMAL  $\pm 0.005$

INTERPRET GEOMETRIC  
TOLERANCING PER:  
ASME Y14.5 -2009

NAME DATE

DRAWN

CHECKED

**PROPRIETARY AND CONFIDENTIAL**

THE INFORMATION CONTAINED IN THIS DRAWING IS THE SOLE PROPERTY OF PEDESTALPRO LLC. ANY REPRODUCTION IN PART OR AS A WHOLE WITHOUT THE WRITTEN PERMISSION OF PEDESTALPRO LLC IS PROHIBITED.

TITLE:

**ASSEMBLY**

Wednesday, October 23,  
2024 1:18:56 PM

WEIGHT: 9.695

SIZE  
**A**

PART NO.  
810HOU-DOOR-01-CRS

REV  
**C**

NO SCALE

SHEET 2 OF 7