

PRODUCT FEATURES

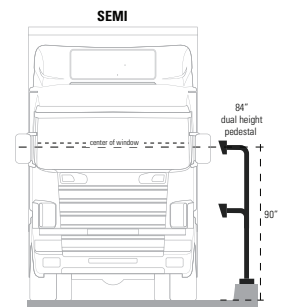
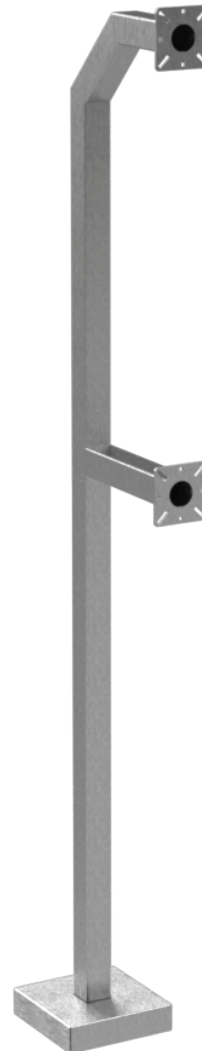
- Beautiful aesthetics
- Rust resistant
- Dual height for cars and trucks
- Universal design
- Heavy duty materials
- Stainless steel construction
- Brushed #4 (180 grit)
- NDAA, Buy American, or USMCA/CUSMA compliant
- Build To Order (BTO)
- Available direct or through distribution
- ADA compliant

CUSTOM OPTIONS

- Shorten or extend neck reach
- Shorten or extend height
- Customize face plate or base plate
- Change material to #316 stainless

DESCRIPTION

Beautiful. Proven longevity. A dual-height, car-truck pedestal for mounting access control devices at gates. Standing 72" tall, this pedestal will accommodate gate access for vehicles of all sizes including cars, SUV's, buses, semi-trucks, and other large commercial traffic.



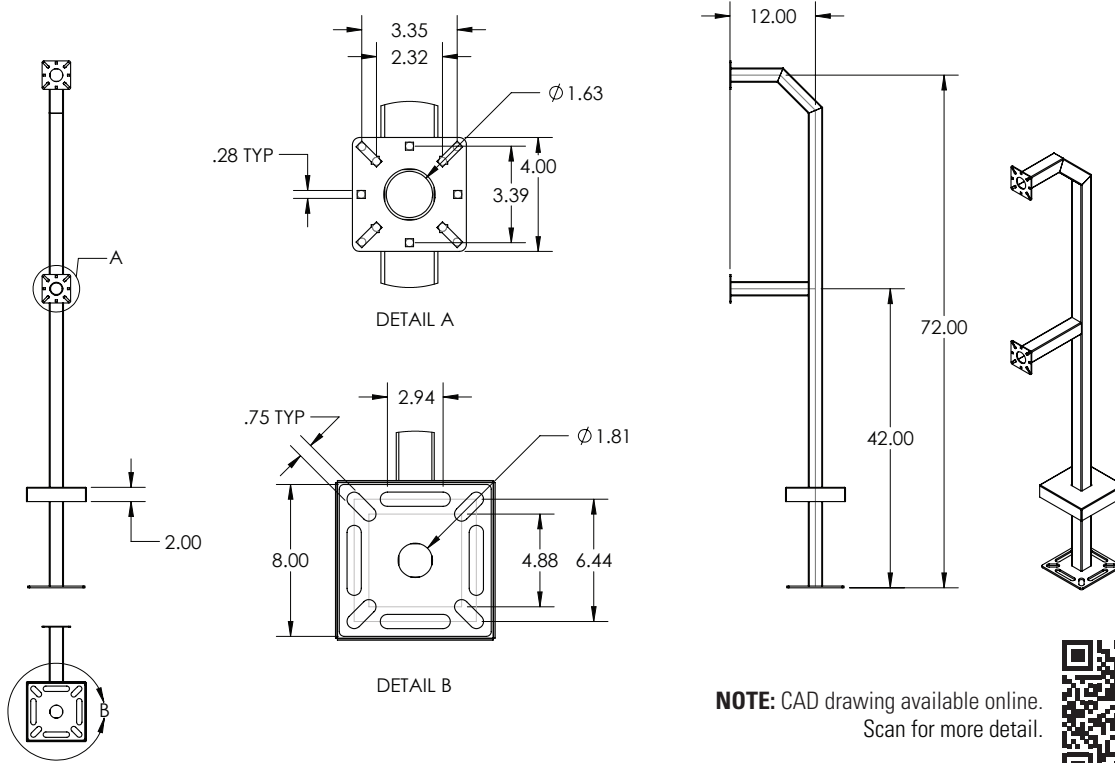
Download Vehicle Height Chart for more details

RECOMMENDED ACCESSORIES

| | | | | | | |
|---|--|---|---|--|--|---|
| <p>BOLT KIT</p> <p>Stud-Anchor-625</p> | <p>BOLT KIT</p> <p>L-Bolt-625</p> | <p>HOUSING</p> <p>Lando-SS-20x14-E</p> | <p>BUFFER PLATE</p> <p>CS-ABP-1212</p> | <p>SHIM KIT</p> <p>Shim-Kit-001</p> | <p>NECK EXTENSION</p> <p>12-EXT-2</p> | <p>DIRECTIONAL HEAD</p> <p>OMNI-4W5T-BLK</p> |
|---|--|---|---|--|--|---|

NOTE: Real time inventory levels are viewable for registered users on pedestalpro.com

Model No. **72-9C-DSP-SS**



NOTE: CAD drawing available online.
Scan for more detail.



DATA & SPECS

| | |
|------------------|---|
| Product Style | Gooseneck |
| Material | #304 Stainless steel |
| Tube | 2" x 2" x .120" wall, stainless steel #304 |
| Face Plate | .1217" (11 gauge) stainless steel #304 |
| Base Plate | .25" plate, stainless steel #304 |
| Cover Plate | .0749" (14 gauge) stainless steel #304 |
| Mounting Method | Pad mount |
| Pretreatment | n/a |
| Finish | Brushed #4 (180 grit) |
| UV Protection | n/a |
| Hardware | 1/4-20 carriage bolts and nuts (qty 4 each, zinc plated) |
| Packaging | Foam wrapped and boxed individually |
| Package Size | 76 x 15 x 10 |
| Weight | 40 lbs |
| Shipping Method | UPS, FedEx, or LTL freight |
| Compliance | NDA, Buy American, or USMCA/CUSMA (see website for details) |
| Warranty | 1 year limited (see website for details) |
| Inventory Status | Build To Order (Fast Track production is available) |

SIMILAR PRODUCTS

