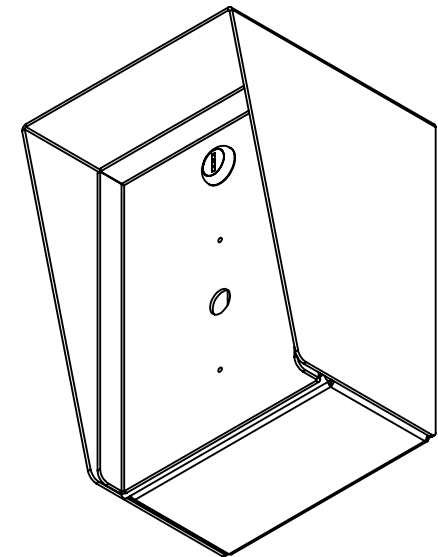


AVAILABLE CUTOUT AREA



- NOTES:
 1. MATERIAL OF CONSTRUCTION IS 304 SS, BRUSHED #4.



PEDESTALPRO.COM
 1-800-660-3072

UNLESS OTHERWISE SPECIFIED: ★

DIMENSIONS ARE IN INCHES
 TOLERANCES:
 FRACTIONAL $\pm 1/32$
 ANGULAR: $\pm 2^\circ$
 TWO PLACE DECIMAL ± 0.010
 THREE PLACE DECIMAL ± 0.005

INTERPRET GEOMETRIC
 TOLERANCING PER:
 ASME Y14.5 -2009

| NAME | DATE |
|----------|------|
| DRAWN PE | |
| CHECKED | |

PROPRIETARY AND CONFIDENTIAL
 THE INFORMATION CONTAINED IN THIS DRAWING IS THE SOLE PROPERTY OF PEDESTALPRO LLC. ANY REPRODUCTION IN PART OR AS A WHOLE WITHOUT THE WRITTEN PERMISSION OF PEDESTALPRO LLC IS PROHIBITED.

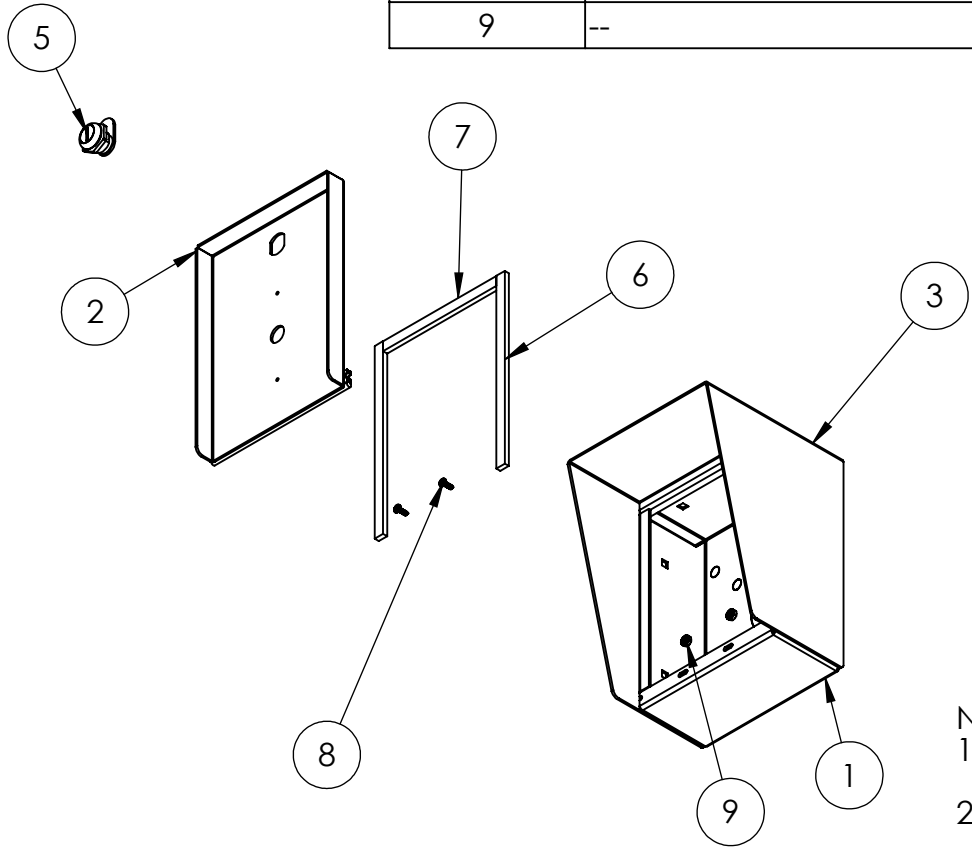
TITLE:
INSTALLATION

Wednesday, August 6, 2025
 4:03:14 PM

WEIGHT: 7.322

| SIZE | PART NO. | REV |
|----------|-------------------|--------------|
| A | 68HOU-GALL-01-304 | C |
| NO SCALE | | SHEET 1 OF 6 |

| ITEM NO. | PART NUMBER | DESCRIPTION | QTY. |
|----------|-----------------------------|------------------------------|------|
| 1 | 68HOU-GALL-01-304 ENCLOSURE | ENCLOSURE WELDMENT | 1 |
| 2 | 68HOU-GALL-01-304 DOOR | DOOR WELDMENT | 1 |
| 3 | 68HOU-GALL-01-304 HOOD | HOOD | 1 |
| 4 | HINGE | PIANO HINGE | 1 |
| 5 | CAM LOCK | STRAIGHT CAM | 1 |
| 6 | GASKET SIDE | 3/8" X .150 WEATHERSTRIPPING | 2 |
| 7 | GASKET TOP | 3/8" X .150 WEATHERSTRIPPING | 1 |
| 8 | -- | 6-32 PAN HEAD SCREW | 2 |
| 9 | -- | 6-32 EXTERNAL TOOTH LOCK NUT | 2 |



- NOTES:
- SEE STANDARD PREPARATION AND COATING INSTRUCTIONS FOR COATING PROCEDURE AND COLOR.
 - SEE STANDARD PACKAGING INSTRUCTIONS FOR PACKAGING PROCEDURE.



PEDESTALPRO.COM
1-800-660-3072

UNLESS OTHERWISE SPECIFIED:

DIMENSIONS ARE IN INCHES
TOLERANCES:
FRACTIONAL $\pm 1/32$
ANGULAR: $\pm 2^\circ$
TWO PLACE DECIMAL ± 0.010
THREE PLACE DECIMAL ± 0.005

INTERPRET GEOMETRIC TOLERANCING PER: ASME Y14.5 -2009

NAME _____ DATE _____

DRAWN _____

CHECKED _____

PROPRIETARY AND CONFIDENTIAL

THE INFORMATION CONTAINED IN THIS DRAWING IS THE SOLE PROPERTY OF PEDESTALPRO LLC. ANY REPRODUCTION IN PART OR AS A WHOLE WITHOUT THE WRITTEN PERMISSION OF PEDESTALPRO LLC IS PROHIBITED.

TITLE:
ASSEMBLY

Wednesday, August 6, 2025
4:03:14 PM

WEIGHT: 7.322

SIZE **A** PART NO. 68HOU-GALL-01-304

NO SCALE SHEET 2 OF 6

REV **C**