

CUTOUT FITS  
AIPHONE LEM-1DL

NOTES:

1. MATERIAL OF CONSTRUCTION IS MILD STEEL.
2. 2-4 MILS BLACK WRINKLE POWDER COAT. (8017-91612)

PEDESTALPRO.COM  
1-800-660-3072

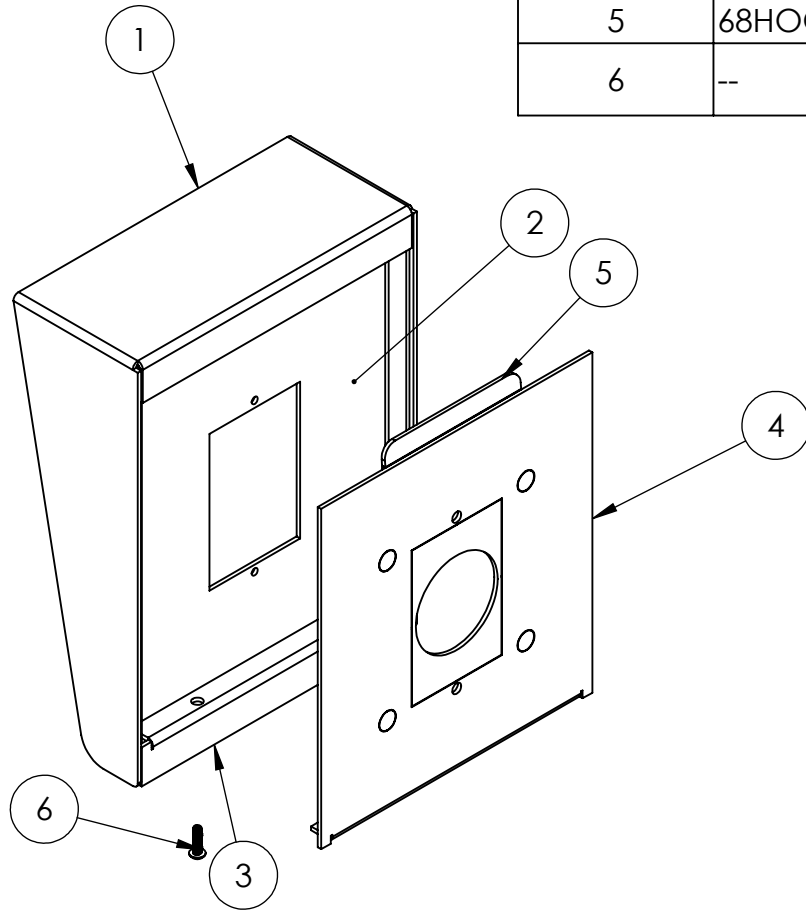
UNLESS OTHERWISE SPECIFIED:  
DIMENSIONS ARE IN INCHES  
TOLERANCES:  
FRACTIONAL  $\pm 1/32$   
ANGULAR:  $\pm 2^\circ$   
TWO PLACE DECIMAL  $\pm 0.010$   
THREE PLACE DECIMAL  $\pm 0.005$   
INTERPRET GEOMETRIC  
TOLERANCING PER:  
ASME Y14.5 -2009

NAME	DATE
DRAWN	
CHECKED	
<b>PROPRIETARY AND CONFIDENTIAL</b>	
THE INFORMATION CONTAINED IN THIS DRAWING IS THE SOLE PROPERTY OF PEDESTALPRO LLC. ANY REPRODUCTION IN PART OR AS A WHOLE WITHOUT THE WRITTEN PERMISSION OF PEDESTALPRO LLC IS PROHIBITED.	

TITLE:  
**INSTALLATION**  
Thursday, September 13, 2018 1:05:51 PM  
WEIGHT: 3.197

SIZE <b>A</b>	PART NO. 68H00-AIP-02-CRS	REV <b>0</b>
NO SCALE		SHEET 1 OF 8

ITEM NO.	PART NUMBER	DESCRIPTION	QTY.
1	J-HOOD-CS-6X6 HOOD	HOOD ASSEMBLY	1
2	68HOO-AIP-02-CRS MID PLATE	DEVICE MOUNTING PLATE	1
3	68HOO-AIP-02-CRS BOTTOM CLOSURE	HOOD ASSEMBLY	1
4	68HOO-AIP-02-CRS BACK PLATE	MOUNTING PLATE	1
5	68HOO-AIP-02-CRS HOOK	MOUNTING HOOK	1
6	--	6-32 X 1/2" PAN HEAD SECURITY SCREW	2



PEDESTALPRO.COM  
1-800-660-3072

UNLESS OTHERWISE SPECIFIED:

DIMENSIONS ARE IN INCHES  
TOLERANCES:  
FRACTIONAL  $\pm 1/32$   
ANGULAR:  $\pm 2^\circ$   
TWO PLACE DECIMAL  $\pm 0.010$   
THREE PLACE DECIMAL  $\pm 0.005$

INTERPRET GEOMETRIC  
TOLERANCING PER:  
ASME Y14.5 -2009

NAME	DATE
DRAWN	
CHECKED	

**PROPRIETARY AND CONFIDENTIAL**  
THE INFORMATION CONTAINED IN THIS  
DRAWING IS THE SOLE PROPERTY OF  
PEDESTALPRO LLC. ANY REPRODUCTION  
IN PART OR AS A WHOLE WITHOUT THE  
WRITTEN PERMISSION OF PEDESTALPRO LLC  
IS PROHIBITED.

TITLE:  
**ASSEMBLY**

Thursday, September  
13, 2018 1:05:51 PM

WEIGHT: 3.197

SIZE	PART NO.	REV
<b>A</b>	68HOO-AIP-02-CRS	<b>0</b>
NO SCALE		SHEET 2 OF 8