

NOTES:
 1. MATERIAL OF CONSTRUCTION IS 304 SS, BRUSHED #4.



PEDESTALPRO.COM
 1-800-660-3072

UNLESS OTHERWISE SPECIFIED:

DIMENSIONS ARE IN INCHES
 TOLERANCES:
 FRACTIONAL: $\pm 1/32$
 ANGULAR: $\pm 2^\circ$
 TWO PLACE DECIMAL: ± 0.010
 THREE PLACE DECIMAL: ± 0.005

INTERPRET GEOMETRIC
 TOLERANCING PER:
 ASME Y14.5 -2009

| NAME | DATE |
|---------|------|
| DRAWN | |
| CHECKED | |

PROPRIETARY AND CONFIDENTIAL
 THE INFORMATION CONTAINED IN THIS
 DRAWING IS THE SOLE PROPERTY OF
 PEDESTALPRO LLC. ANY REPRODUCTION
 IN PART OR AS A WHOLE WITHOUT THE
 WRITTEN PERMISSION OF PEDESTALPRO LLC
 IS PROHIBITED.

TITLE:
INSTALLATION

Tuesday, October 23,
 2018 1:52:42 PM

WEIGHT: 33.502

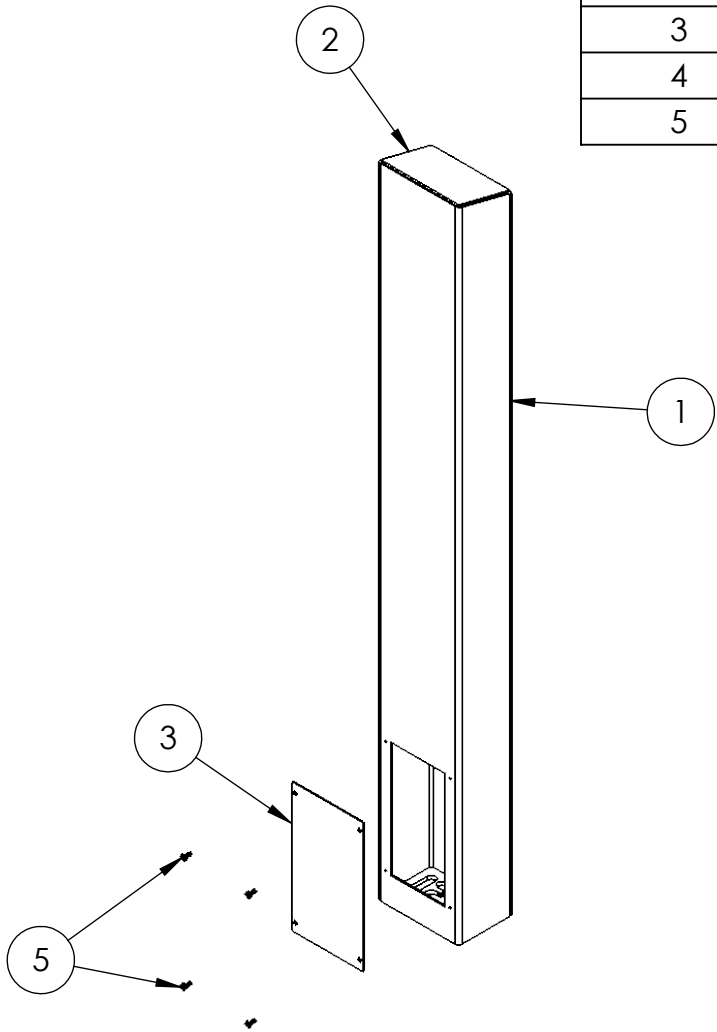
| | |
|------------------|-------------------------------|
| SIZE A | PART NO. 64TOW-AIPH-13-304 |
|------------------|-------------------------------|

| |
|-----------------|
| REV B |
|-----------------|

NO SCALE

SHEET 1 OF 7

| ITEM NO. | PART NUMBER | DESCRIPTION | QTY. |
|----------|-------------------|----------------------------------|------|
| 1 | 64TOW-AIPH-13-304 | TOWER WELDMENT | 1 |
| 2 | PLTCAP-46-46-30 | CAP | 1 |
| 3 | PLTACC-510 | ACCESS PANEL | 1 |
| 4 | PLTBAS-46-46 | BASE PLATE | 1 |
| 5 | -- | 8-32 X 1/2" SS BUTTON HEAD SCREW | 4 |



NOTES:

- SEE STANDARD PREPARATION AND COATING INSTRUCTIONS FOR COATING PROCEDURE AND COLOR.
- SEE STANDARD PACKAGING INSTRUCTIONS FOR PACKAGING PROCEDURE.



PEDESTALPRO.COM
1-800-660-3072

UNLESS OTHERWISE SPECIFIED:

DIMENSIONS ARE IN INCHES
TOLERANCES:
FRACTIONAL $\pm 1/32$
ANGULAR: $\pm 2^\circ$
TWO PLACE DECIMAL ± 0.010
THREE PLACE DECIMAL ± 0.005

INTERPRET GEOMETRIC
TOLERANCING PER:
ASME Y14.5 -2009

NAME DATE

DRAWN
CHECKED

PROPRIETARY AND CONFIDENTIAL
THE INFORMATION CONTAINED IN THIS
DRAWING IS THE SOLE PROPERTY OF
PEDESTALPRO LLC. ANY REPRODUCTION
IN PART OR AS A WHOLE WITHOUT THE
WRITTEN PERMISSION OF PEDESTALPRO LLC
IS PROHIBITED.

TITLE:

ASSEMBLY

Tuesday, October 23,
2018 1:52:42 PM

WEIGHT: 33.502

SIZE
A

PART NO.
64TOW-AIPH-13-304

REV
B

NO SCALE

SHEET 2 OF 7