

### PRODUCT FEATURES

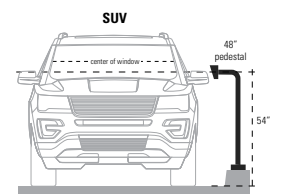
- Dual height for cars and SUV's
- Universal design
- Heavy duty materials
- Steel construction
- Black wrinkle powder coating w/ UV protection
- NDAA, Buy American, or USMCA/CUSMA compliant
- In-stock, ready-to-ship
- Available direct or through distribution
- ADA compliant

### CUSTOM OPTIONS

- Customize face plate or base plate
- Readily available powder coating colors (white, yellow, bronze, gray, silver)
- Choose any RAL powder color

### DESCRIPTION

A low cost, dual-height, car-SUV pedestal for mounting access control devices at gates. Standing 58" tall, this pedestal will accommodate gate access for vehicles of many sizes including cars, SUV's, and other small commercial traffic.

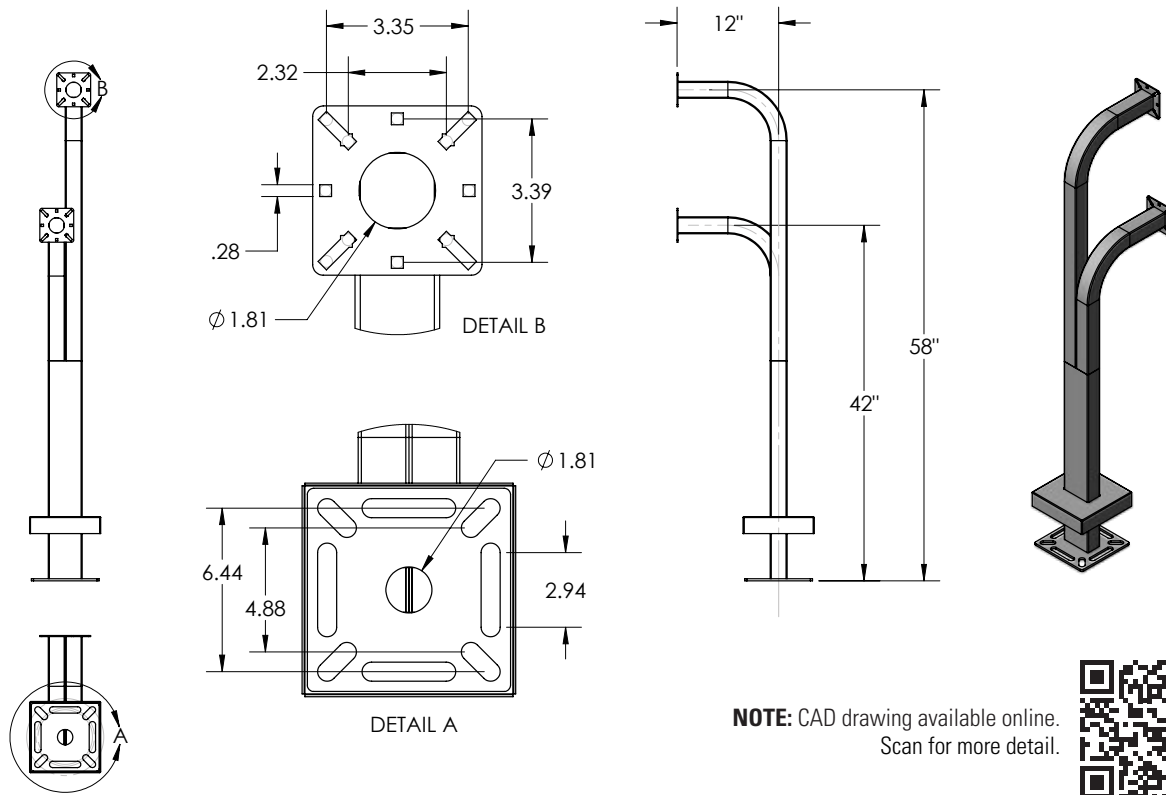


Download Vehicle Height Chart for more details

### RECOMMENDED ACCESSORIES

<b>BOLT KIT</b>	<b>BOLT KIT</b>	<b>HOOD</b>	<b>HOUSING</b>	<b>BUFFER PLATE</b>	<b>SHIM KIT</b>	<b>NECK EXTENSION</b>	<b>DIRECTIONAL HEAD</b>
Stud-Anchor-625	L-Bolt-625	Hood-CS-14x14	MC-PC-14-E-BLK	57PLA-PRO-001-HDP	Shim-Kit-001	12-EXT-2	OMNI-4W5T-BLK

**NOTE:** Real time inventory levels are viewable for registered users on pedestalpro.com



**NOTE:** CAD drawing available online.  
Scan for more detail.



**DATA & SPECS**

Product Style	Gooseneck
Material	Steel
Tube	2" x 2" x .120" wall, and 2" x 4" x .120" wall, steel
Face Plate	.125" (11 gauge)
Base Plate	.25" plate
Cover Plate	.074" (14 gauge)
Mounting Method	Pad mount
Pretreatment	High pressure/high temperature phosphate wash and rinse
Finish	Black wrinkle powder coating (TGIC outdoor polyester)
UV Protection	Yes
Hardware	1/4-20 carriage bolts and nuts (qty 4 each, zinc plated)
Packaging	Foam wrapped and boxed individually
Package Size	62 x 15 x 10
Weight	45 lbs
Shipping Method	UPS, FedEx, or LTL freight
Compliance	NDA, Buy American, or USMCA/CUSMA (see website for details)
Warranty	1 year limited (see website for details)
Inventory Status	In-Stock (inventory levels viewable for registered users on pedestalpro.com)

**SIMILAR PRODUCTS**

