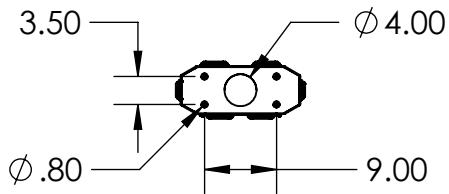
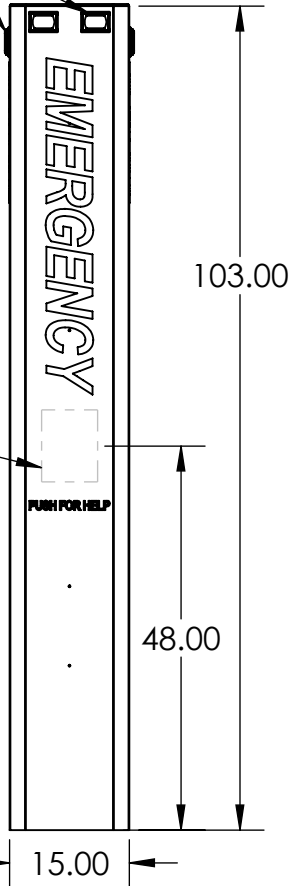
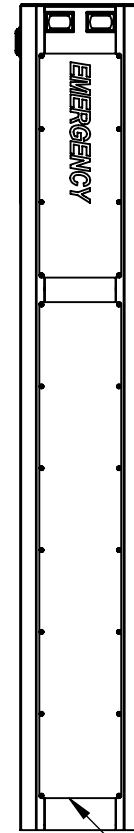
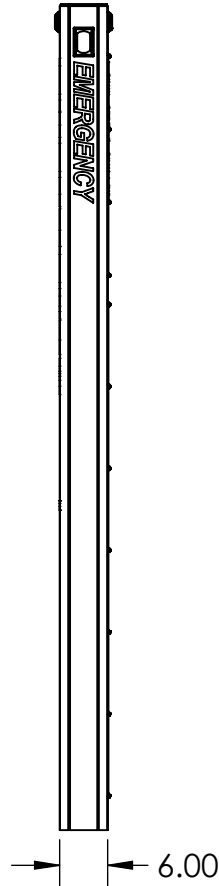


(6X) BLUE STROBE

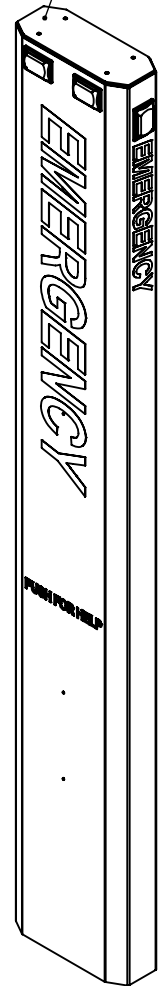
AVAILABLE CUTOUT AREA



REMOVABLE TOP/ACCESSORY MOUNTING



ACCESS PANEL



NOTES:

1. MATERIAL OF CONSTRUCTION IS ALUMINUM.
2. COATED IN 2-4 MILS OF DYNASTY BLUE POWDER COATING.
3. INTERCOM, CAMERAS, ETC. TO BE PROVIDED BY CUSTOMER.
4. LIGHTING REQUIRES CONNECTION TO INTERCOM FOR ACTIVATION.



PEDESTALPRO.COM  
1-800-660-3072

UNLESS OTHERWISE SPECIFIED:

DIMENSIONS ARE IN INCHES  
TOLERANCES:  
FRACTIONAL  $\pm 1/32$   
ANGULAR:  $\pm 2^\circ$   
TWO PLACE DECIMAL  $\pm 0.010$   
THREE PLACE DECIMAL  $\pm 0.005$

INTERPRET GEOMETRIC TOLERANCING PER: ASME Y14.5 -2009

NAME	DATE
DRAWN	
CHECKED	

**PROPRIETARY AND CONFIDENTIAL**  
THE INFORMATION CONTAINED IN THIS DRAWING IS THE SOLE PROPERTY OF PEDESTALPRO LLC. ANY REPRODUCTION IN PART OR AS A WHOLE WITHOUT THE WRITTEN PERMISSION OF PEDESTALPRO LLC IS PROHIBITED.

TITLE:

INSTALLATION

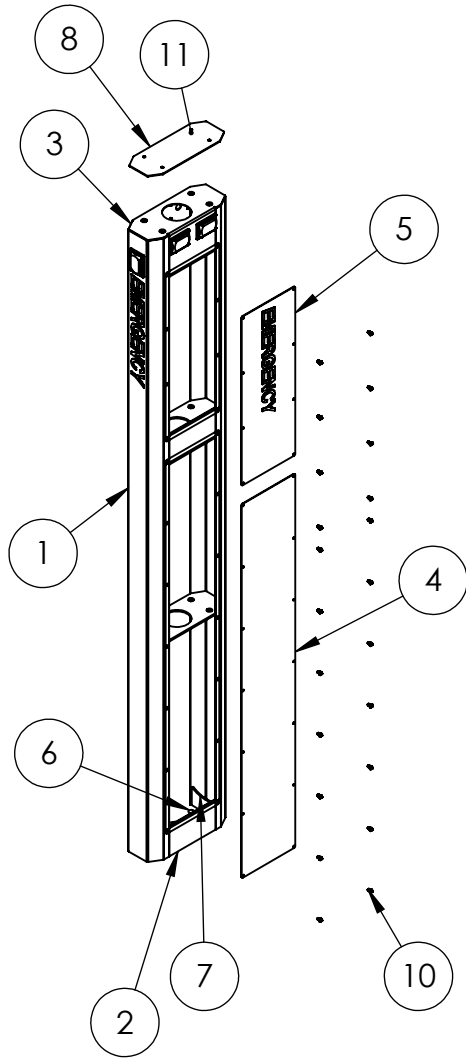
THURSDAY, JUNE 19,  
2025 2:45:34 PM

WEIGHT: 57.154

SIZE	PART NO.	REV
<b>A</b>	156TOW-EMER-03-ALU	<b>A</b>

NO SCALE

SHEET 1 OF 16



ITEM NO.	PART NUMBER	DESCRIPTION	QTY.
1	156TOW-EMER-03-ALU BODY	ALUMINUM BODY	1
2	156TOW-EMER-03-ALU CLOSURE	CLOSURE PANEL	2
3	156TOW-EMER-03-ALU CAP	TOP CAP	1
4	156TOW-EMER-03-ALU ACCESS LOWER	ACCESS PANEL	1
5	156TOW-EMER-03-ALU ACCESS UPPER	ACCESS PANEL	1
6	156TOW-EMER-03-ALU BASE	BASE PLATE	1
7	156TOW-EMER-03-ALU STIFFENER	BASE STIFFENER	2
8	156TOW-EMER-03-ALU TOP CAP	BLANK CAP	1
9	156TOW-EMER-03-ALU RIB	INTERNAL BRACING PLATE	2
10	--	1/4-20 X 1/2 SS PAN HD SCREW	22
11	--	1/4-20 X 1" SS PEM STUD	4
12	--	1/4-20 NYLON LOCK NUT	4
13	--	1/4-20 X 1" FLAT WASHER	4
14	--	4-40 X 1/2" SS PAN HD SCREW	24
15	--	DIN MOUNTING RAIL BOTTOM	1
16	--	DIN MOUNTING RAIL UPPER & MID	2
17	BRICK LIGHT	BLUE STOBE LED LIGHT	6
18	LARGE EMERGENCY DECAL	WHITE REFLECTIVE VINYL	1
19	MEDIUM EMERGENCY DECAL	WHITE REFLECTIVE VINYL	3
20	PUSH FOR HELP DECAL	WHITE REFLECTIVE VINYL	1
21	--	10-24 STAINLESS STEEL KEPS NUT	6
22	--	10-24 X .75" SS PEM STUD	6
23	TOP-BOTTOM GASKET	SOFT NEOPRENE GASKET	4
24	LOWER SIDE GASKET	SOFT NEOPRENE GASKET	2
25	UPPER SIDE GASKET	SOFT NEOPRENE GASKET	2
26	--	POE SPLITTER	1



PEDESTALPRO.COM  
1-800-660-3072

UNLESS OTHERWISE SPECIFIED:

DIMENSIONS ARE IN INCHES  
TOLERANCES:  
FRACTIONAL: ± 1/32  
ANGULAR: ± 2°  
TWO PLACE DECIMAL ± 0.010  
THREE PLACE DECIMAL ± 0.005

INTERPRET GEOMETRIC  
TOLERANCING PER:  
ASME Y14.5 -2009

NAME	DATE
DRAWN	
CHECKED	

**PROPRIETARY AND CONFIDENTIAL**  
THE INFORMATION CONTAINED IN THIS  
DRAWING IS THE SOLE PROPERTY OF  
PEDESTALPRO LLC. ANY REPRODUCTION  
IN PART OR AS A WHOLE WITHOUT THE  
WRITTEN PERMISSION OF PEDESTALPRO LLC  
IS PROHIBITED.

TITLE:  
**ASSEMBLY**

THURSDAY, JUNE 19,  
2025 2:45:34 PM

WEIGHT: 57.154

SIZE PART NO.  
**A** 156TOW-EMER-03-ALU

NO SCALE

REV  
**A**

SHEET 2 OF 16