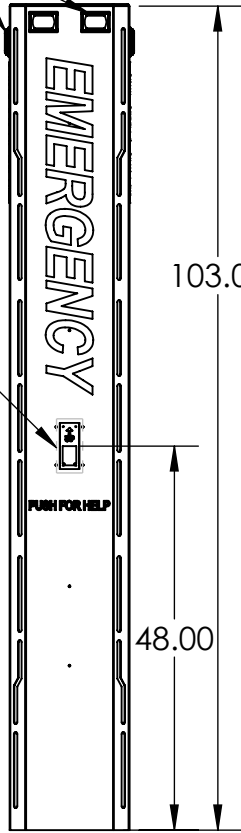
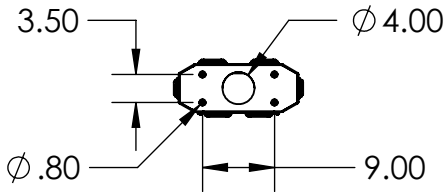


(6X) BLUE STROBE

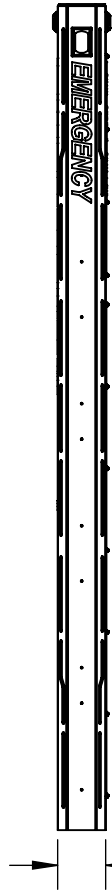
DOORBIRD D1101V



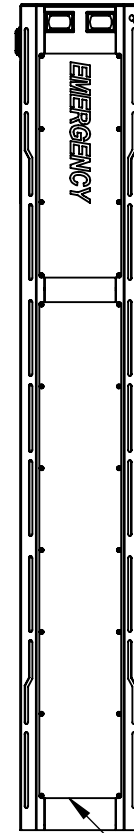
PUSH FOR HELP



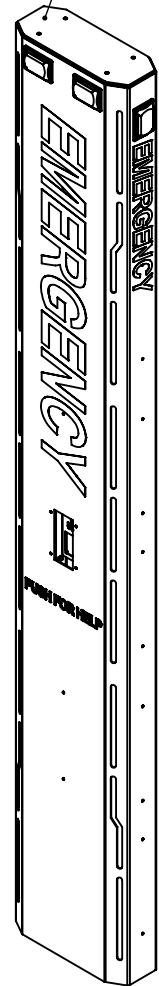
REMOVABLE TOP/ACCESSORY MOUNTING



PHOTOCELL SENSOR



ACCESS PANEL



NOTES:

1. MATERIAL OF CONSTRUCTION IS ALUMINUM.
2. COATED IN 2-4 MILS OF DYNASTY BLUE POWDER COATING.
3. INTERCOM, CAMERAS, ETC. TO BE PROVIDED BY CUSTOMER.
4. LIGHTING REQUIRES CONNECTION TO INTERCOM FOR ACTIVATION.



PEDESTALPRO.COM
1-800-660-3072

UNLESS OTHERWISE SPECIFIED:

DIMENSIONS ARE IN INCHES
TOLERANCES:
FRACTIONAL $\pm 1/32$
ANGULAR: $\pm 2^\circ$
TWO PLACE DECIMAL ± 0.010
THREE PLACE DECIMAL ± 0.005

INTERPRET GEOMETRIC
TOLERANCING PER:
ASME Y14.5 -2009

NAME	DATE
DRAWN	
CHECKED	

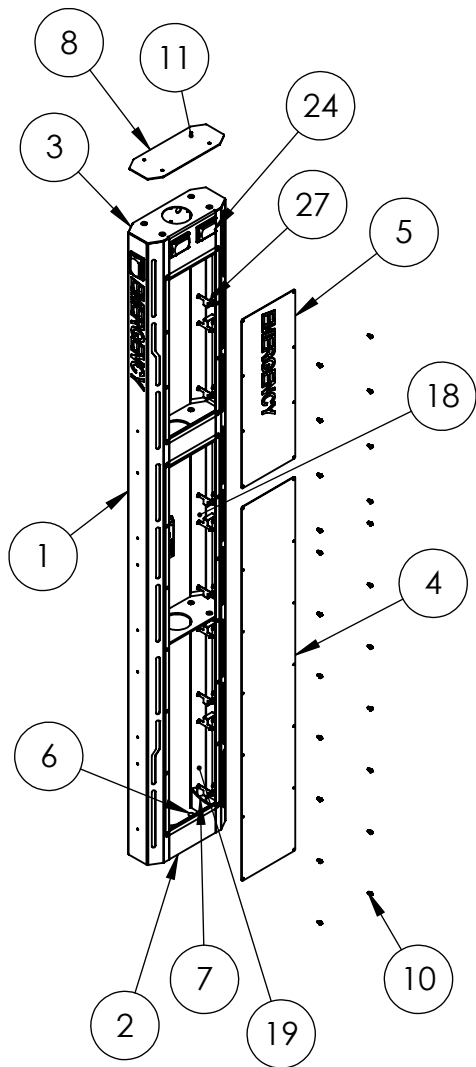
PROPRIETARY AND CONFIDENTIAL
THE INFORMATION CONTAINED IN THIS DRAWING IS THE SOLE PROPERTY OF PEDESTALPRO LLC. ANY REPRODUCTION IN PART OR AS A WHOLE WITHOUT THE WRITTEN PERMISSION OF PEDESTALPRO LLC IS PROHIBITED.

TITLE:
INSTALLATION

TUESDAY, SEPTEMBER
30, 2025 1:14:36 PM

WEIGHT: 69.416

SIZE	PART NO.	REV
A	156TOW-DOOR-01-ALU	A
NO SCALE		SHEET 1 OF 21



ITEM NO.	PART NUMBER	DESCRIPTION	QTY.
1	156TOW-DOOR-01-ALU BODY	ALUMINUM BODY	1
2	156TOW-DOOR-01-ALU CLOSURE	CLOSURE PANEL	2
3	156TOW-DOOR-01-ALU CAP	TOP CAP	1
4	156TOW-DOOR-01-ALU ACCESS LOWER	ACCESS PANEL	1
5	156TOW-DOOR-01-ALU ACCESS UPPER	ACCESS PANEL	1
6	156TOW-DOOR-01-ALU BASE	BASE PLATE	1
7	156TOW-DOOR-01-ALU STIFFENER	BASE STIFFENER	2
8	156TOW-DOOR-01-ALU TOP CAP	BLANK CAP	1
9	156TOW-DOOR-01-ALU RIB	INTERNAL BRACING PLATE	2
10	--	1/4-20 X 1/2 SS PAN HD SCREW	22
11	--	1/4-20 X 1" SS PEM STUD	4
12	--	1/4-20 NYLON LOCK NUT	4
13	--	1/4-20 X 1" FLAT WASHER	4
14	--	4-40 X 1/2" SS PAN HD SCREW	24
15	--	DIN MOUNTING RAIL BOTTOM	1
16	--	DIN MOUNTING RAIL UPPER & MID	2
17	156TOW-DOOR-01-ALU POLYCARB TOP	FROSTED POLYCARBONATE WINDOW	2
18	156TOW-DOOR-01-ALU POLYCARB MID	FROSTED POLYCARBONATE WINDOW	2
19	156TOW-DOOR-01-ALU POLYCARB BOTTOM	FROSTED POLYCARBONATE WINDOW	2
20	EL-LGHT-BRK-ETWR-BLU	BLUE BRICK LIGHT	6
21	LARGE EMERGENCY DECAL	WHITE REFLECTIVE VINYL	1
22	MEDIUM EMERGENCY DECAL	WHITE REFLECTIVE VINYL	3
23	PUSH FOR HELP DECAL	WHITE REFLECTIVE VINYL	1
24	--	10-24 STAINLESS STEEL KEPS NUT	30
25	--	6-32 SS NYLON LOCK NUT	48
26	--	6-32 X 1/2" SS PEM STUD	48
27	BRA133-EMER-01-304	LIGHT BRACKET	12
28	--	10-24 X .75" SS PEM STUD	30
29	TOP-BOTTOM GASKET	SOFT NEOPRENE GASKET	4
30	LOWER SIDE GASKET	SOFT NEOPRENE GASKET	2
31	UPPER SIDE GASKET	SOFT NEOPRENE GASKET	2
33	PLABRA-DB-D1101V	FLUSH BRACKET FOR D1101V	1
34	--	8-32 X 1/2" SS PEM STUD	4
35	--	8-32 KEPNUT	4



PEDESTALPRO.COM
1-800-660-3072

UNLESS OTHERWISE SPECIFIED:

DIMENSIONS ARE IN INCHES
TOLERANCES:
FRACTIONAL: ± 1/32
ANGULAR: ± 2°
TWO PLACE DECIMAL ± 0.010
THREE PLACE DECIMAL ± 0.005

INTERPRET GEOMETRIC
TOLERANCING PER:
ASME Y14.5 -2009

NAME	DATE
DRAWN	
CHECKED	

PROPRIETARY AND CONFIDENTIAL
THE INFORMATION CONTAINED IN THIS DRAWING IS THE SOLE PROPERTY OF PEDESTALPRO LLC. ANY REPRODUCTION IN PART OR AS A WHOLE WITHOUT THE WRITTEN PERMISSION OF PEDESTALPRO LLC IS PROHIBITED.

TITLE:
ASSEMBLY

TUESDAY, SEPTEMBER
30, 2025 1:14:36 PM

WEIGHT: 69.416

SIZE	PART NO.	REV
A	156TOW-DOOR-01-ALU	A
NO SCALE		SHEET 2 OF 21