

- NOTES:
1. MATERIAL OF CONSTRUCTION IS ALUMINUM.
 2. COATED IN 2-4 MILS OF GLOSS BLUE POWDER COATING.
 3. INTERCOM, CAMERAS, ETC. TO BE PROVIDED BY CUSTOMER.
 4. LIGHTING REQUIRES CONNECTION TO INTERCOM FOR ACTIVATION.

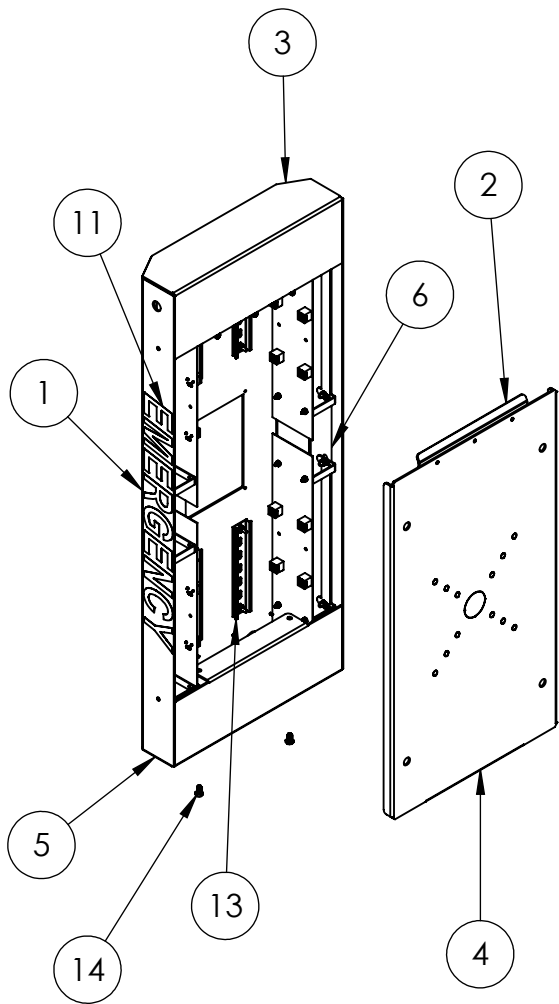


PEDESTALPRO.COM
1-800-660-3072

UNLESS OTHERWISE SPECIFIED:
DIMENSIONS ARE IN INCHES
TOLERANCES:
FRACTIONAL ± 1/32
ANGULAR: ± 2°
TWO PLACE DECIMAL ± 0.010
THREE PLACE DECIMAL ± 0.005
INTERPRET GEOMETRIC TOLERANCING PER: ASME Y14.5 -2009

NAME	DATE
DRAWN	
CHECKED	
PROPRIETARY AND CONFIDENTIAL	
THE INFORMATION CONTAINED IN THIS DRAWING IS THE SOLE PROPERTY OF PEDESTALPRO LLC. ANY REPRODUCTION IN PART OR AS A WHOLE WITHOUT THE WRITTEN PERMISSION OF PEDESTALPRO LLC IS PROHIBITED.	

TITLE: INSTALLATION		SIZE A	PART NO. 156STA-COME-01-ALU	REV A
Monday, October 14, 2024 1:46:38 PM		NO SCALE		SHEET 1 OF 14
WEIGHT: 20.698				



ITEM NO.	PART NUMBER	DESCRIPTION	QTY.
1	156STA-COME-01-ALU BODY		1
2	156STA-COME-01-ALU HOOK	WALL BRACKET HOOK	1
3	156STA-COME-01-ALU CAP	TOP CAP	1
4	156STA-COME-01-ALU MOUNT	WALL MOUNTING BRACKET	1
5	156STA-COME-01-ALU BOTTOM	BOTTOM CAP	1
6	156STA-COME-01-ALU POLYCARBONATE	FROSTED POLYCARBONATE WINDOW	2
7	BLUE BRICK LIGHT	BLUE STROBE LED LIGHT	4
8	BRA113-EMER-01-304	LED LIGHT BRACKET	4
9	SMALL EMERGENCY DECAL	WHITE REFLECTIVE VINYL	1
10	PUSH FOR HELP DECAL	WHITE REFLECTIVE VINYL	1
11	STATION EMERGENCY DECAL	WHITE REFLECTIVE VINYL	2
12	--	4-40 X 1/2 SS PAN HD SCREWS	16
13	--	DIN MOUNTING RAIL	4
14	--	1/4-20 X 1/2" HHCS	2
15	--	10-24 X .75" SS PEM STUD	16
16	--	10-24 STAINLESS STEEL KEPS NUT	16
17	--	6-32 X 1/2" SS WELD STUD	16
18	--	6-32 SS NYLON LOCK NUT	16
19	--	8-32 X 1/2 SS PEM STUD	3
20	--	8-32 SS NYLON LOCK NUT	3

NOTES:

1. SEE STANDARD PREPARATION AND COATING INSTRUCTIONS FOR COATING PROCEDURE AND COLOR.
2. SEE STANDARD PACKAGING INSTRUCTIONS FOR PACKAGING PROCEDURE.



PEDESTALPRO.COM
1-800-660-3072

UNLESS OTHERWISE SPECIFIED:

DIMENSIONS ARE IN INCHES
TOLERANCES:
FRACTIONAL $\pm 1/32$
ANGULAR: $\pm 2^\circ$
TWO PLACE DECIMAL ± 0.010
THREE PLACE DECIMAL ± 0.005

INTERPRET GEOMETRIC
TOLERANCING PER:
ASME Y14.5 -2009

NAME	DATE
DRAWN	
CHECKED	

PROPRIETARY AND CONFIDENTIAL
THE INFORMATION CONTAINED IN THIS DRAWING IS THE SOLE PROPERTY OF PEDESTALPRO LLC. ANY REPRODUCTION IN PART OR AS A WHOLE WITHOUT THE WRITTEN PERMISSION OF PEDESTALPRO LLC IS PROHIBITED.

TITLE:
ASSEMBLY
Monday, October 14,
2024 1:46:38 PM
WEIGHT: 20.698

SIZE	PART NO.	REV
A	156STA-COME-01-ALU	A
NO SCALE		SHEET 2 OF 14