

NOTES:

1. MATERIAL OF CONSTRUCTION IS 304 SS, BRUSHED #4.

PEDESTALPRO.COM  
1-800-660-3072

UNLESS OTHERWISE SPECIFIED:

DIMENSIONS ARE IN INCHES  
TOLERANCES:  
FRACTIONAL  $\pm 1/32$   
ANGULAR:  $\pm 2^\circ$   
TWO PLACE DECIMAL  $\pm 0.010$   
THREE PLACE DECIMAL  $\pm 0.005$

INTERPRET GEOMETRIC  
TOLERANCING PER:  
ASME Y14.5 -2009

NAME DATE

DRAWN

CHECKED

**PROPRIETARY AND CONFIDENTIAL**

THE INFORMATION CONTAINED IN THIS  
DRAWING IS THE SOLE PROPERTY OF  
PEDESTALPRO LLC. ANY REPRODUCTION  
IN PART OR AS A WHOLE WITHOUT THE  
WRITTEN PERMISSION OF PEDESTALPRO LLC  
IS PROHIBITED.

TITLE:

INSTALLATION

Thursday, September  
13, 2018 12:05:51 PM

WEIGHT: 10.147

SIZE  
**A**

PART NO.

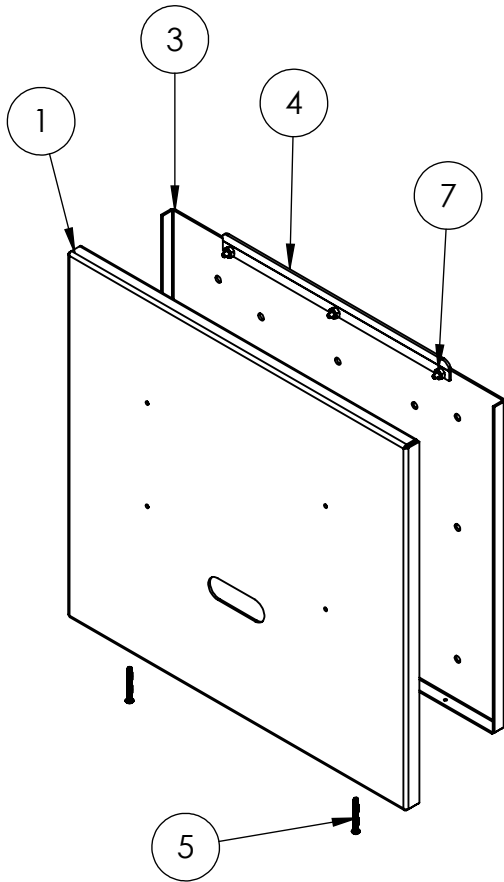
1514PLA-BUT-01-304

NO SCALE

REV  
**0**

SHEET 1 OF 7

ITEM NO.	PART NUMBER	DESCRIPTION	QTY.
1	1514PLA-BUT-01-304 MID PLATE	DEVICE MOUNTING PLATE	1
2	1514PLA-BUT-01-304 BOTTOM CLOSURE	HOOD ASSEMBLY	1
3	1514PLA-BUT-01-304 BACK PLATE	MOUNTING PLATE	1
4	1514PLA-BUT-01-304 HOOK	MOUNTING HOOK	1
5	--	6-32 X 1.25" SS TAMPER-RESISTANT TORX SECURITY SCREW	3
6	--	6-32 X 1/2" SS PEM STUD	3
7	--	6-32 SS NYLON LOCK NUT	3



UNLESS OTHERWISE SPECIFIED:

DIMENSIONS ARE IN INCHES  
TOLERANCES:  
FRACTIONAL  $\pm 1/32$   
ANGULAR:  $\pm 2^\circ$   
TWO PLACE DECIMAL  $\pm 0.010$   
THREE PLACE DECIMAL  $\pm 0.005$

INTERPRET GEOMETRIC  
TOLERANCING PER:  
ASME Y14.5 -2009

NAME DATE

DRAWN

CHECKED

**PROPRIETARY AND CONFIDENTIAL**

THE INFORMATION CONTAINED IN THIS  
DRAWING IS THE SOLE PROPERTY OF  
PEDESTALPRO LLC. ANY REPRODUCTION  
IN PART OR AS A WHOLE WITHOUT THE  
WRITTEN PERMISSION OF PEDESTALPRO LLC  
IS PROHIBITED.

TITLE:

**ASSEMBLY**

Thursday, September  
13, 2018 12:05:51 PM

WEIGHT: 10.147

SIZE  
**A**

PART NO.  
1514PLA-BUT-01-304

REV  
**0**

NO SCALE

SHEET 2 OF 7

PEDESTALPRO.COM  
1-800-660-3072