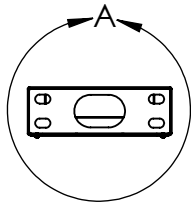


DETAIL A



NOTES:  
 1. MATERIAL OF CONSTRUCTION IS 304 SS, BRUSHED #4.



PEDESTALPRO.COM  
 1-800-660-3072

UNLESS OTHERWISE SPECIFIED:

DIMENSIONS ARE IN INCHES  
 TOLERANCES:  
 FRACTIONAL  $\pm 1/32$   
 ANGULAR:  $\pm 2^\circ$   
 TWO PLACE DECIMAL  $\pm 0.010$   
 THREE PLACE DECIMAL  $\pm 0.005$

INTERPRET GEOMETRIC  
 TOLERANCING PER:  
 ASME Y14.5 -2009

NAME	DATE
DRAWN	
CHECKED	

**PROPRIETARY AND CONFIDENTIAL**  
 THE INFORMATION CONTAINED IN THIS  
 DRAWING IS THE SOLE PROPERTY OF  
 PEDESTALPRO LLC. ANY REPRODUCTION  
 IN PART OR AS A WHOLE WITHOUT THE  
 WRITTEN PERMISSION OF PEDESTALPRO LLC  
 IS PROHIBITED.

TITLE:  
**INSTALLATION**

TUESDAY, JUNE 17,  
 2025 7:55:16 AM

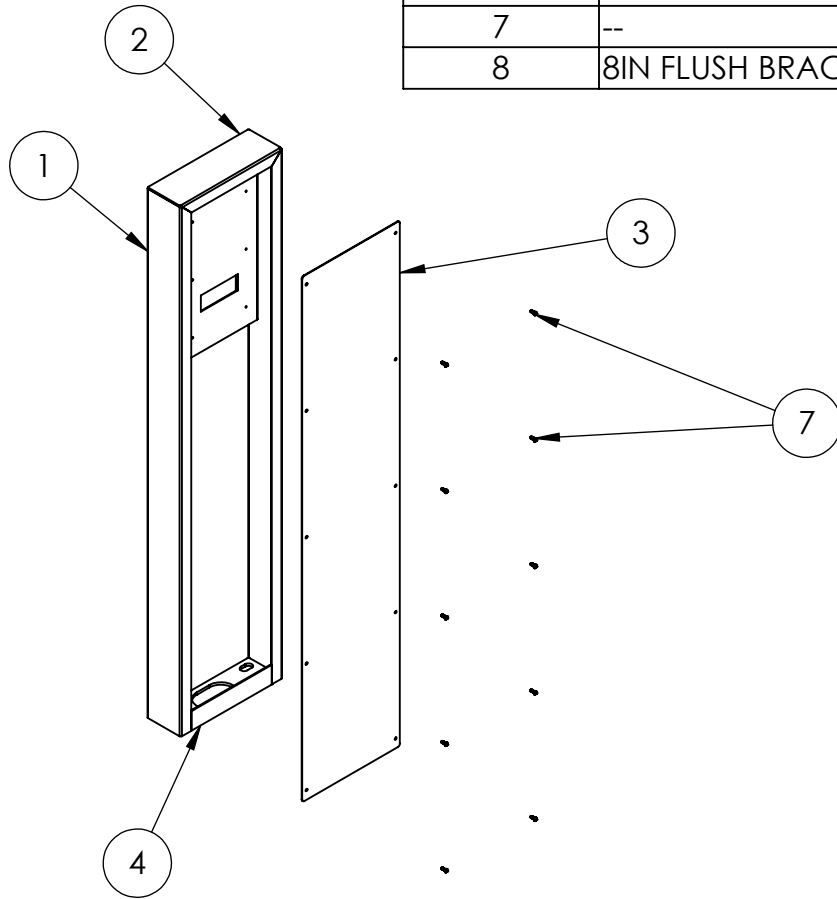
WEIGHT: 64.847

SIZE	PART NO.	REV
<b>A</b>	124CAB-BUT-01-304	<b>A</b>

NO SCALE

SHEET 1 OF 10

ITEM NO.	PART NUMBER	DESCRIPTION	QTY.
1	124CAB-BUT-01-304 MAIN BODY	MAIN BODY	1
2	124CAB-BUT-01-304 TOP	TOP	1
3	124CAB-BUT-01-304 ACCESS PANEL	ACCESS PANEL	1
4	124CAB-BUT-01-304 BACK CLOSURE	BACK CLOSURE	1
5	124CAB-BUT-01-304 BASE PLATE	BASE PLATE	1
6	12GA STIFFENER	STIFFENER	1
7	--	8-32 X 1/2" PAN HEAD SCREW	10
8	8IN FLUSH BRACKET	FLUSH MOUNTING BRACKET	1



NOTES:

- SEE STANDARD PREPARATION AND COATING INSTRUCTIONS FOR COATING PROCEDURE AND COLOR.
- SEE STANDARD PACKAGING INSTRUCTIONS FOR PACKAGING PROCEDURE.



PEDESTALPRO.COM  
1-800-660-3072

UNLESS OTHERWISE SPECIFIED:

DIMENSIONS ARE IN INCHES  
TOLERANCES:  
FRACTIONAL  $\pm 1/32$   
ANGULAR:  $\pm 2^\circ$   
TWO PLACE DECIMAL  $\pm 0.010$   
THREE PLACE DECIMAL  $\pm 0.005$

INTERPRET GEOMETRIC  
TOLERANCING PER:  
ASME Y14.5 -2009

NAME	DATE
DRAWN	
CHECKED	
<b>PROPRIETARY AND CONFIDENTIAL</b>	
THE INFORMATION CONTAINED IN THIS DRAWING IS THE SOLE PROPERTY OF PEDESTALPRO LLC. ANY REPRODUCTION IN PART OR AS A WHOLE WITHOUT THE WRITTEN PERMISSION OF PEDESTALPRO LLC IS PROHIBITED.	

TITLE: <b>ASSEMBLY</b>		SIZE <b>A</b>	PART NO. 124CAB-BUT-01-304	REV <b>A</b>
TUESDAY, JUNE 17, 2025 7:55:16 AM		NO SCALE		SHEET 2 OF 10
WEIGHT: 64.847				