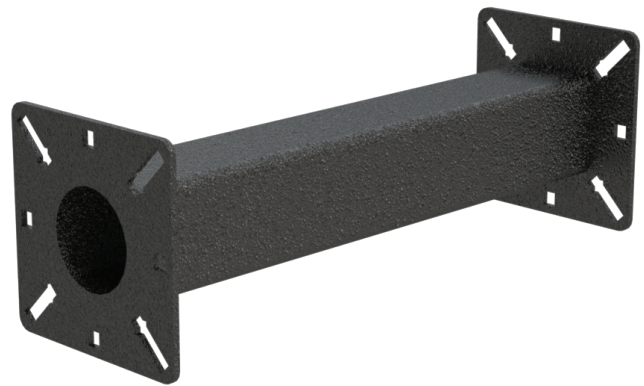


PRODUCT FEATURES

- 12" neck extension for gooseneck pedestals
- Matches pedestals with 2" square tube and 4" square face plates
- Universal design
- Heavy duty materials
- Steel construction
- Black wrinkle powder coating w/ UV protection
- NDAA, Buy American, or USMCA/CUSMA compliant
- In-stock, ready-to-ship
- Available direct or through distribution

CUSTOM OPTIONS

- Shorten or extend neck reach
 - Customize face plates
 - Readily available powder coating colors (white, yellow, bronze, gray, silver)
- Choose any RAL powder color



DESCRIPTION

Extend the neck of a gooseneck pedestal twelve (12) additional inches to make using access control devices more convenient for vehicle operators.

RECOMMENDED ACCESSORIES

PEDESTAL



PEDESTAL



PEDESTAL



HOOD



HOUSING



BUFFER PLATE

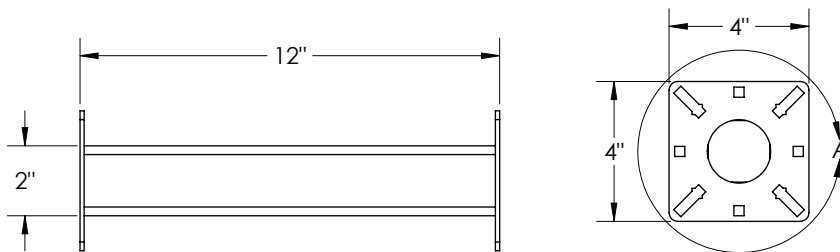
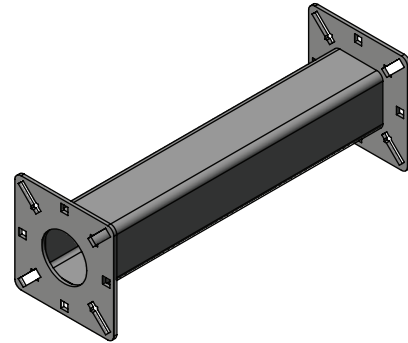
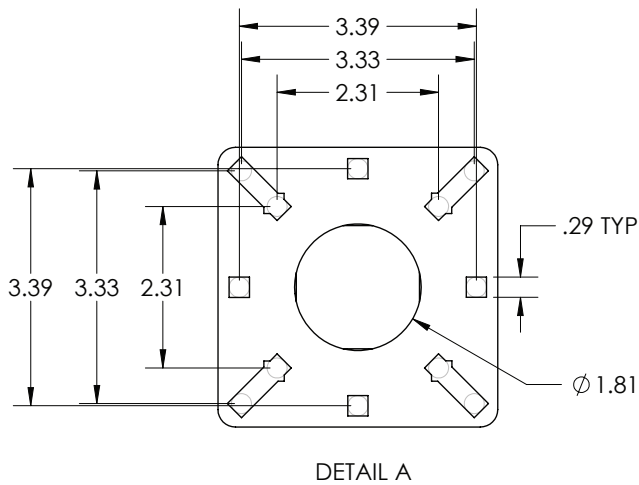


SHIM KIT



DIRECTIONAL HEAD





NOTE: CAD drawing available online.
Scan for more detail.



DATA & SPECS

Product Style	Accessory
Material	Steel
Tube	2" x 2" x .120" wall, steel
Face Plate	.125" (11 gauge)
Base Plate	n/a
Cover Plate	n/a
Mounting Method	n/a
Pretreatment	High pressure/high temperature phosphate wash and rinse
Finish	Black wrinkle powder coating (TGIC outdoor polyester)
UV Protection	Yes
Hardware	1/4-20 carriage bolts and nuts (qty 4 each, zinc plated)
Packaging	Foam wrapped and boxed individually
Package Size	13 x 6 x 6
Weight	6 lbs
Shipping Method	UPS, FedEx, or LTL freight
Compliance	NDA, Buy American, or USMCA/CUSMA (see website for details)
Warranty	1 year limited (see website for details)
Inventory Status	In-Stock (inventory levels viewable for registered users on pedestalpro.com)

SIMILAR PRODUCTS

