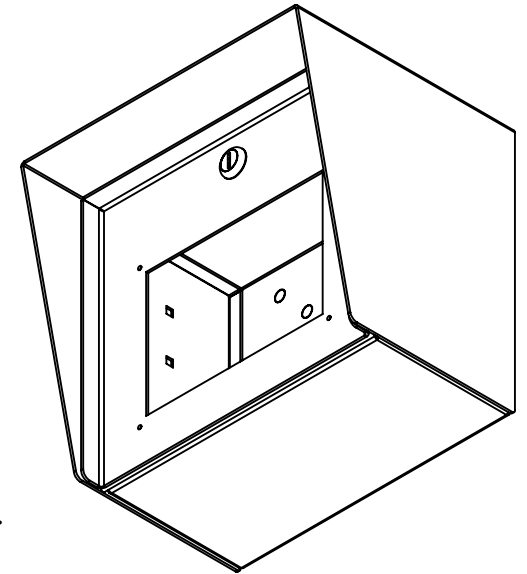


MOUNTING FOR ZENITEL
P-3102, P-3130 INTERCOMS

AVAILABLE CUTOUT AREA

NOTES:

1. MATERIAL OF CONSTRUCTION IS MILD STEEL.
2. 2-4 MILS BLACK WRINKLE POWDER COAT.



PEDESTALPRO.COM
1-800-660-3072

UNLESS OTHERWISE SPECIFIED:

DIMENSIONS ARE IN INCHES
TOLERANCES:
FRACTIONAL $\pm 1/32$
ANGULAR: $\pm 2^\circ$
TWO PLACE DECIMAL ± 0.010
THREE PLACE DECIMAL ± 0.005

INTERPRET GEOMETRIC
TOLERANCING PER:
ASME Y14.5 -2009

NAME	DATE
DRAWN	
CHECKED	

PROPRIETARY AND CONFIDENTIAL
THE INFORMATION CONTAINED IN THIS DRAWING IS THE SOLE PROPERTY OF PEDESTALPRO LLC. ANY REPRODUCTION IN PART OR AS A WHOLE WITHOUT THE WRITTEN PERMISSION OF PEDESTALPRO LLC IS PROHIBITED.

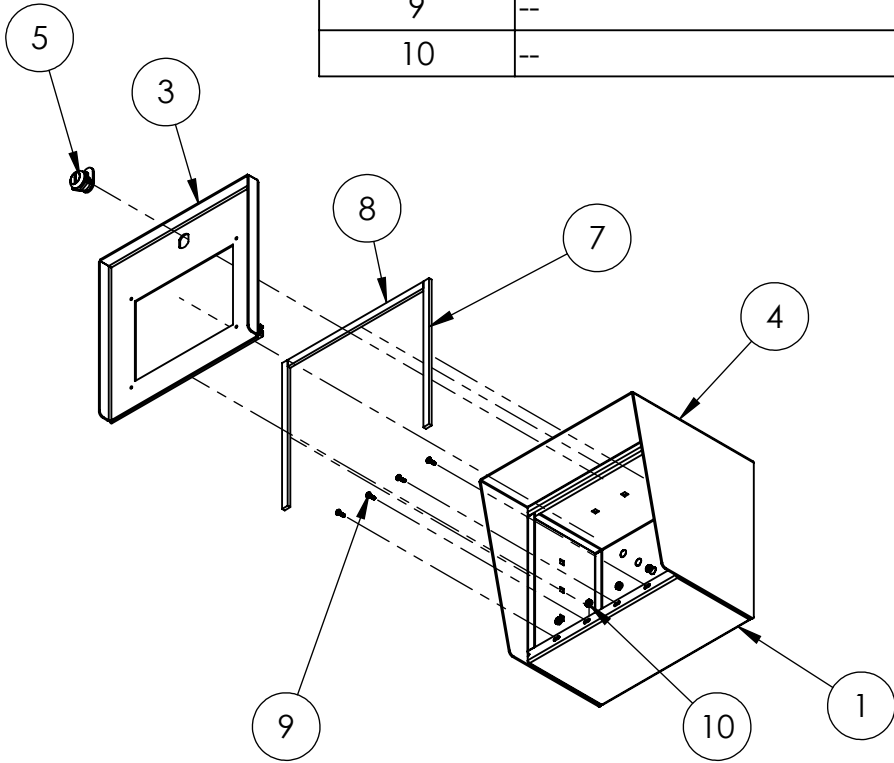
TITLE:
INSTALLATION

Tuesday, April 4, 2023
9:23:08 AM

WEIGHT: 12.775

SIZE	PART NO.	REV
A	109HOU-ZENI-01-CRS	A
NO SCALE		SHEET 1 OF 7

ITEM NO.	PART NUMBER	DESCRIPTION	QTY.
1	109HOU-ZENI-01-CRS ENCLOSURE	ENCLOSURE	1
2	109HOU-ZENI-01-CRS ENCLOSURE WALL	ENCLOSURE WALL	2
3	109HOU-ZENI-01-CRS DOOR	DOOR WELDMENT	1
4	109HOU-ZENI-01-CRS HOOD	HOOD	1
5	CAM LOCK	STRAIGHT CAM	1
6	HINGE	PIANO HINGE	1
7	GASKET SIDE	3/8" X .150 WEATHERSTRIPPING	2
8	GASKET TOP	3/8" X .150 WEATHERSTRIPPING	1
9	--	6-32 PAN HEAD SCREW	4
10	--	6-32 EXTERNAL TOOTH LOCK NUT	4



- NOTES:
- SEE STANDARD PREPARATION AND COATING INSTRUCTIONS FOR COATING PROCEDURE AND COLOR.
 - SEE STANDARD PACKAGING INSTRUCTIONS FOR PACKAGING PROCEDURE.



PEDESTALPRO.COM
1-800-660-3072

UNLESS OTHERWISE SPECIFIED:

DIMENSIONS ARE IN INCHES
TOLERANCES:
FRACTIONAL $\pm 1/32$
ANGULAR: $\pm 2^\circ$
TWO PLACE DECIMAL ± 0.010
THREE PLACE DECIMAL ± 0.005

INTERPRET GEOMETRIC
TOLERANCING PER:
ASME Y14.5 -2009

NAME DATE

DRAWN

CHECKED

PROPRIETARY AND CONFIDENTIAL

THE INFORMATION CONTAINED IN THIS DRAWING IS THE SOLE PROPERTY OF PEDESTALPRO LLC. ANY REPRODUCTION IN PART OR AS A WHOLE WITHOUT THE WRITTEN PERMISSION OF PEDESTALPRO LLC IS PROHIBITED.

TITLE:

ASSEMBLY

Monday, July 26, 2021
3:04:42 PM

WEIGHT: 12.775

SIZE
A

PART NO.
109HOU-ZENI-01-CRS

REV
0

NO SCALE

SHEET 2 OF 7