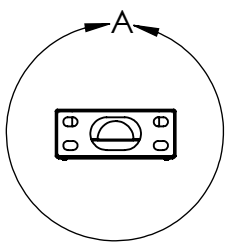
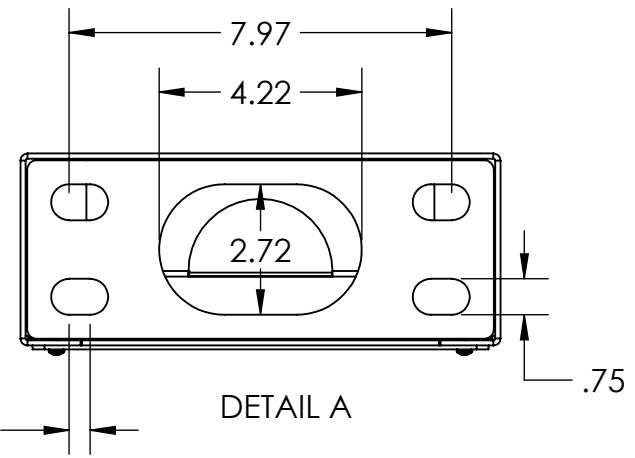
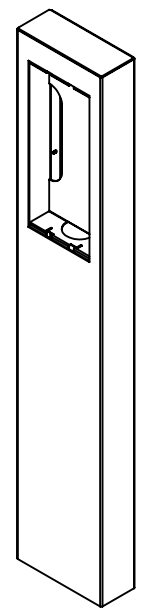
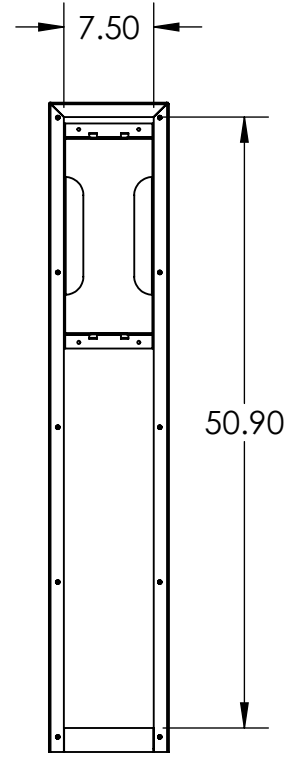
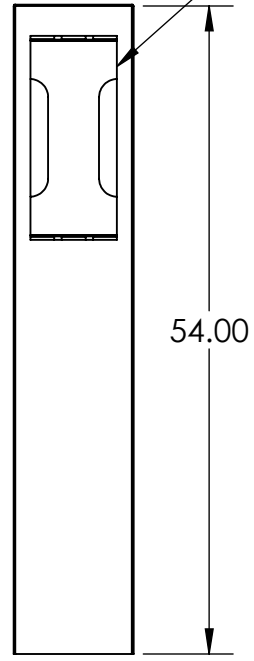


MOUNTS A COMELIT 3ONE6 WITH INTEGRATED CARD READER



NOTES:
1. MATERIAL OF CONSTRUCTION IS 304 SS, BRUSHED #4.



PEDESTALPRO.COM
1-800-660-3072

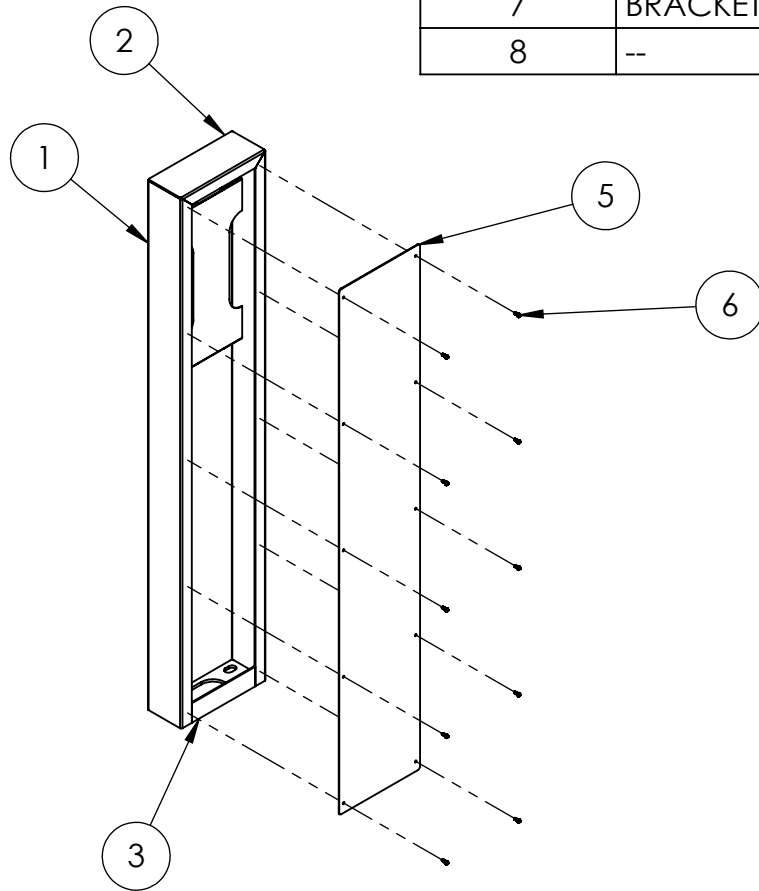
UNLESS OTHERWISE SPECIFIED:
DIMENSIONS ARE IN INCHES
TOLERANCES:
FRACTIONAL: $\pm 1/32$
ANGULAR: $\pm 2^\circ$
TWO PLACE DECIMAL ± 0.010
THREE PLACE DECIMAL ± 0.005
INTERPRET GEOMETRIC TOLERANCING PER: ASME Y14.5 -2009

NAME	DATE
DRAWN	
CHECKED	
PROPRIETARY AND CONFIDENTIAL	
THE INFORMATION CONTAINED IN THIS DRAWING IS THE SOLE PROPERTY OF PEDESTALPRO LLC. ANY REPRODUCTION IN PART OR AS A WHOLE WITHOUT THE WRITTEN PERMISSION OF PEDESTALPRO LLC IS PROHIBITED.	

TITLE:
INSTALLATION
Thursday, April 14, 2022
11:18:09 AM
WEIGHT: 48.214

SIZE A	PART NO. 104TOW-COM-002-304	REV A
NO SCALE		SHEET 1 OF 9

ITEM NO.	PART NUMBER	DESCRIPTION	QTY.
1	MAIN BODY	MAIN BODY	1
2	TOP	TOP	1
3	BOTTOM CLOSURE	BOTTOM CLOSURE	1
4	BASE PLATE	BASE PLATE	1
5	ACCESS PANEL	ACCESS PANEL	1
6	--	8-32 X 1/2" PAN HEAD SCREW	10
7	BRACKET	3ONE6 BRACKET	1
8	--	10-24 X 1/2 SS WELD STUD	4



NOTES:

1. SEE STANDARD PREPARATION AND COATING INSTRUCTIONS FOR COATING PROCEDURE AND COLOR.
2. SEE STANDARD PACKAGING INSTRUCTIONS FOR PACKAGING PROCEDURE.



PEDESTALPRO.COM
1-800-660-3072

UNLESS OTHERWISE SPECIFIED:

DIMENSIONS ARE IN INCHES
TOLERANCES:
FRACTIONAL $\pm 1/32$
ANGULAR: $\pm 2^\circ$
TWO PLACE DECIMAL ± 0.010
THREE PLACE DECIMAL ± 0.005

INTERPRET GEOMETRIC
TOLERANCING PER:
ASME Y14.5 -2009

NAME	DATE
DRAWN	
CHECKED	

PROPRIETARY AND CONFIDENTIAL
THE INFORMATION CONTAINED IN THIS DRAWING IS THE SOLE PROPERTY OF PEDESTALPRO LLC. ANY REPRODUCTION IN PART OR AS A WHOLE WITHOUT THE WRITTEN PERMISSION OF PEDESTALPRO LLC IS PROHIBITED.

TITLE:
ASSEMBLY

Thursday, April 14, 2022
11:18:09 AM

WEIGHT: 48.214

SIZE	PART NO.	REV
A	104TOW-COM-002-304	A
NO SCALE		SHEET 2 OF 9