

DETAIL A

NOTES:  
1. MATERIAL OF CONSTRUCTION IS 304 SS, BRUSHED #4.



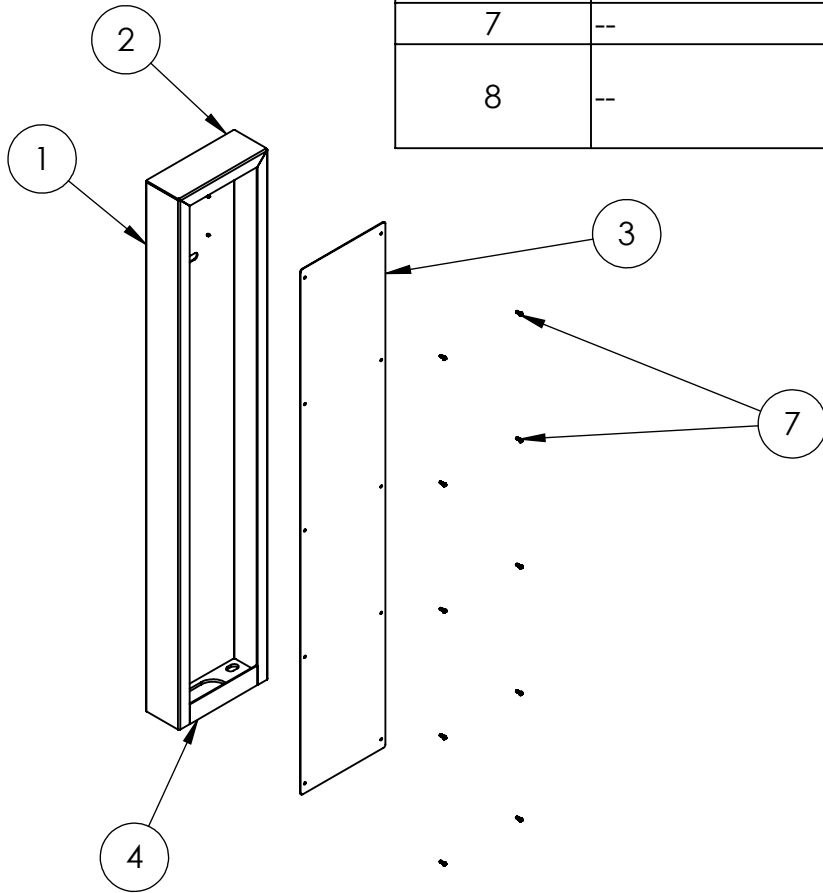
PEDESTALPRO.COM  
1-800-660-3072

UNLESS OTHERWISE SPECIFIED:  
DIMENSIONS ARE IN INCHES  
TOLERANCES:  
FRACTIONAL  $\pm 1/32$   
ANGULAR:  $\pm 2^\circ$   
TWO PLACE DECIMAL  $\pm 0.010$   
THREE PLACE DECIMAL  $\pm 0.005$   
INTERPRET GEOMETRIC  
TOLERANCING PER:  
ASME Y14.5 -2009

NAME	DATE
DRAWN	
CHECKED	
<b>PROPRIETARY AND CONFIDENTIAL</b>	
THE INFORMATION CONTAINED IN THIS DRAWING IS THE SOLE PROPERTY OF PEDESTALPRO LLC. ANY REPRODUCTION IN PART OR AS A WHOLE WITHOUT THE WRITTEN PERMISSION OF PEDESTALPRO LLC IS PROHIBITED.	

TITLE: <b>INSTALLATION</b>		SIZE <b>A</b>	PART NO. 104CAB-BUT-01-304	REV <b>A</b>
MONDAY, JUNE 16, 2025 2:24:37 PM		NO SCALE		SHEET 1 OF 9
WEIGHT: 59.444				

ITEM NO.	PART NUMBER	DESCRIPTION	QTY.
1	104CAB-BUT-01-304 MAIN BODY	MAIN BODY	1
2	104CAB-BUT-01-304 TOP	TOP	1
3	104CAB-BUT-01-304 ACCESS PANEL	ACCESS PANEL	1
4	104CAB-BUT-01-304 BACK CLOSURE	BACK CLOSURE	1
5	104CAB-BUT-01-304 BASE PLATE	BASE PLATE	1
6	12GA STIFFENER	STIFFENER	1
7	--	8-32 X 1/2" PAN HEAD SCREW	10
8	--	316 STAINLESS STEEL ULTRA-LOW-PROFILE SOCKET HEAD SCREW 8-32 X 5/16"	4



NOTES:

- SEE STANDARD PREPARATION AND COATING INSTRUCTIONS FOR COATING PROCEDURE AND COLOR.
- SEE STANDARD PACKAGING INSTRUCTIONS FOR PACKAGING PROCEDURE.



PEDESTALPRO.COM  
1-800-660-3072

UNLESS OTHERWISE SPECIFIED:

DIMENSIONS ARE IN INCHES  
TOLERANCES:  
FRACTIONAL  $\pm 1/32$   
ANGULAR:  $\pm 2^\circ$   
TWO PLACE DECIMAL  $\pm 0.010$   
THREE PLACE DECIMAL  $\pm 0.005$

INTERPRET GEOMETRIC TOLERANCING PER: ASME Y14.5 -2009

NAME	DATE
DRAWN	
CHECKED	
<b>PROPRIETARY AND CONFIDENTIAL</b>	
THE INFORMATION CONTAINED IN THIS DRAWING IS THE SOLE PROPERTY OF PEDESTALPRO LLC. ANY REPRODUCTION IN PART OR AS A WHOLE WITHOUT THE WRITTEN PERMISSION OF PEDESTALPRO LLC IS PROHIBITED.	

TITLE: <b>ASSEMBLY</b>		SIZE <b>A</b>	PART NO. 104CAB-BUT-01-304	REV <b>A</b>
MONDAY, JUNE 16, 2025 2:24:37 PM		NO SCALE		SHEET 2 OF 9
WEIGHT: 59.444				