

NOTES:
 1. MATERIAL OF CONSTRUCTION IS 304 SS, BRUSHED #4.



PEDESTALPRO.COM
 1-800-660-3072

UNLESS OTHERWISE SPECIFIED:

DIMENSIONS ARE IN INCHES
 TOLERANCES:
 FRACTIONAL $\pm 1/32$
 ANGULAR: $\pm 2^\circ$
 TWO PLACE DECIMAL ± 0.010
 THREE PLACE DECIMAL ± 0.005

INTERPRET GEOMETRIC
 TOLERANCING PER:
 ASME Y14.5 -2009

NAME	DATE
DRAWN PE	
CHECKED	

PROPRIETARY AND CONFIDENTIAL
 THE INFORMATION CONTAINED IN THIS DRAWING IS THE SOLE PROPERTY OF PEDESTALPRO LLC. ANY REPRODUCTION IN PART OR AS A WHOLE WITHOUT THE WRITTEN PERMISSION OF PEDESTALPRO LLC IS PROHIBITED.

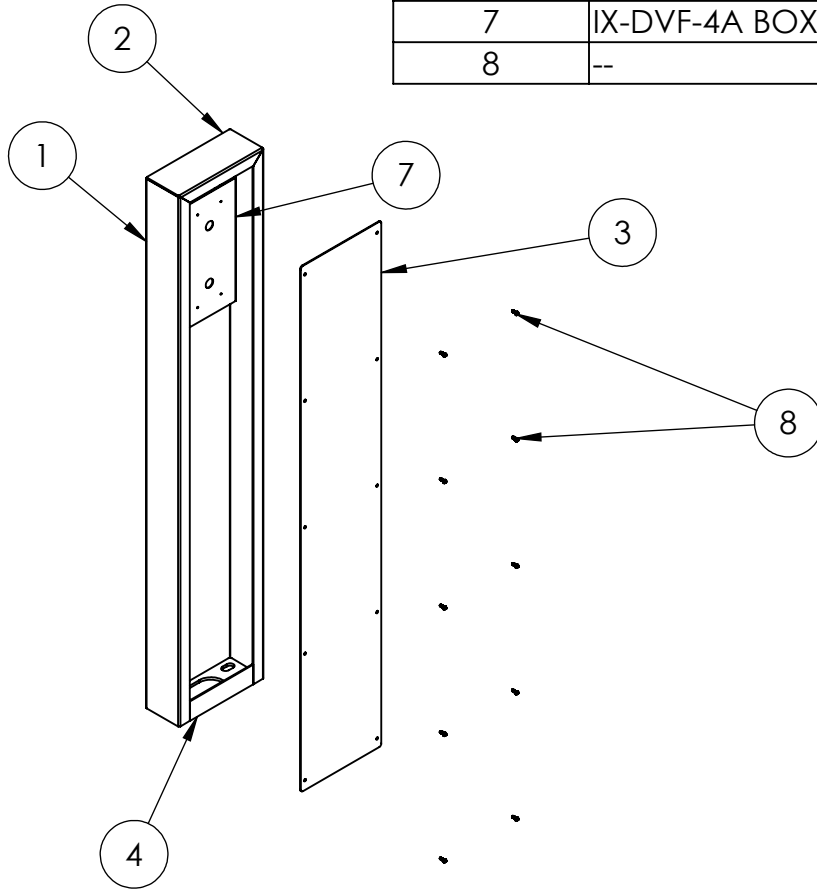
TITLE:
INSTALLATION

WEDNESDAY, JUNE 18,
 2025 9:21:09 AM

WEIGHT: 58.314

SIZE	PART NO.	REV
A	104CAB-AIPH-03-304	A
NO SCALE		SHEET 1 OF 10

ITEM NO.	PART NUMBER	DESCRIPTION	QTY.
1	104CAB-AIPH-03-304 MAIN BODY	MAIN BODY	1
2	104CAB-AIPH-03-304 TOP	TOP	1
3	104CAB-AIPH-03-304 ACCESS PANEL	ACCESS PANEL	1
4	104CAB-AIPH-03-304 BACK CLOSURE	BACK CLOSURE	1
5	104CAB-AIPH-03-304 BASE PLATE	BASE PLATE	1
6	12GA STIFFENER	STIFFENER	1
7	IX-DVF-4A BOX BRACKET	BRACKET FOR IX-DVF-4A	1
8	--	8-32 X 1/2" PAN HEAD SCREW	10



NOTES:

- SEE STANDARD PREPARATION AND COATING INSTRUCTIONS FOR COATING PROCEDURE AND COLOR.
- SEE STANDARD PACKAGING INSTRUCTIONS FOR PACKAGING PROCEDURE.



PEDESTALPRO.COM
1-800-660-3072

UNLESS OTHERWISE SPECIFIED:

DIMENSIONS ARE IN INCHES
TOLERANCES:
FRACTIONAL $\pm 1/32$
ANGULAR: $\pm 2^\circ$
TWO PLACE DECIMAL ± 0.010
THREE PLACE DECIMAL ± 0.005

INTERPRET GEOMETRIC
TOLERANCING PER:
ASME Y14.5 -2009

NAME	DATE
DRAWN	
CHECKED	

PROPRIETARY AND CONFIDENTIAL
THE INFORMATION CONTAINED IN THIS
DRAWING IS THE SOLE PROPERTY OF
PEDESTALPRO LLC. ANY REPRODUCTION
IN PART OR AS A WHOLE WITHOUT THE
WRITTEN PERMISSION OF PEDESTALPRO LLC
IS PROHIBITED.

TITLE:
ASSEMBLY

WEDNESDAY, JUNE 18,
2025 9:21:09 AM

WEIGHT: 58.314

SIZE	PART NO.	REV
A	104CAB-AIPH-03-304	A

NO SCALE

SHEET 2 OF 10